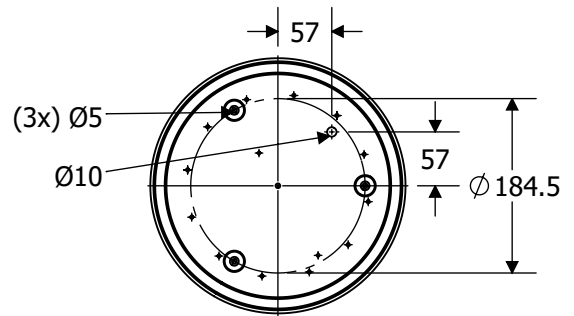
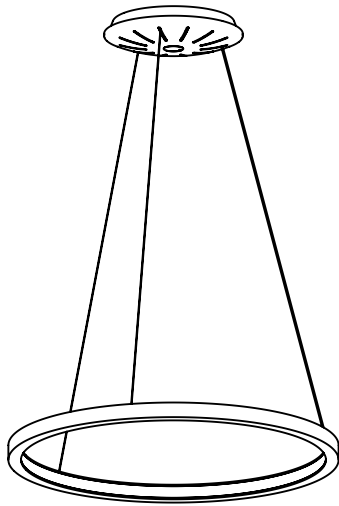
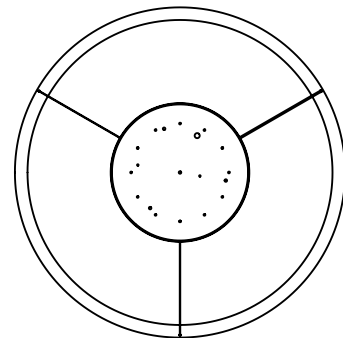
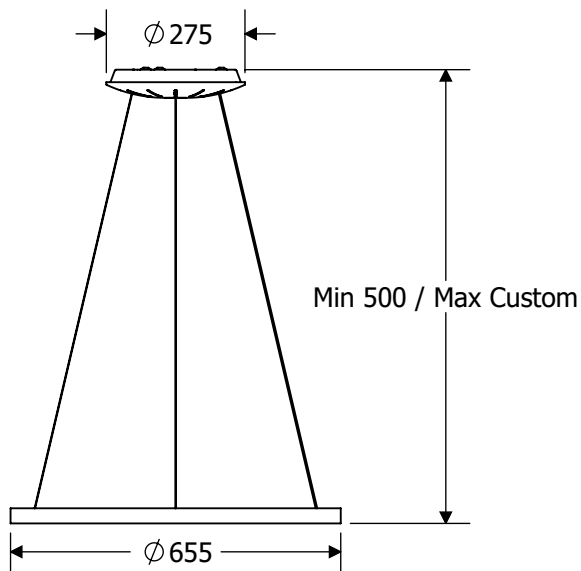


— CHELSOM —

EST. 1947

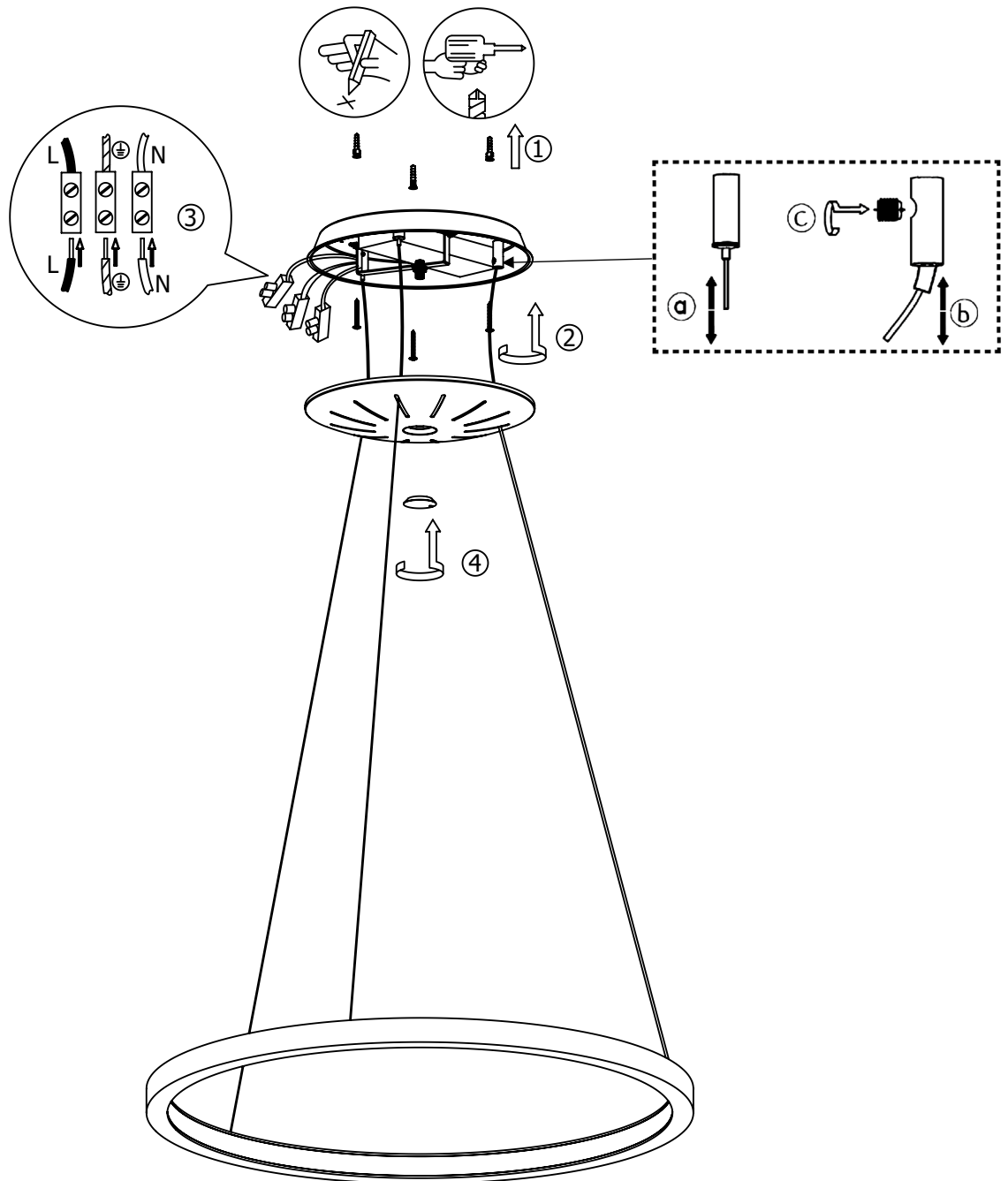


INTERNAL FIXING PLATE
VIEWED FROM BOTTOM



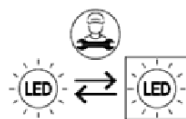
— CHELSOM —

EST. 1947

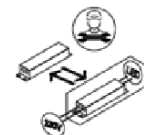


SLR Information

This product contains a light source of Energy Efficiency Class E Regulation 2021 No. 1095



LED light source replaceable by qualified person



Control gear replaceable by qualified person

www.chelsom.co.uk