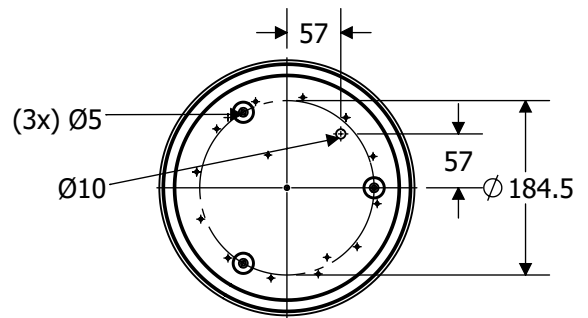
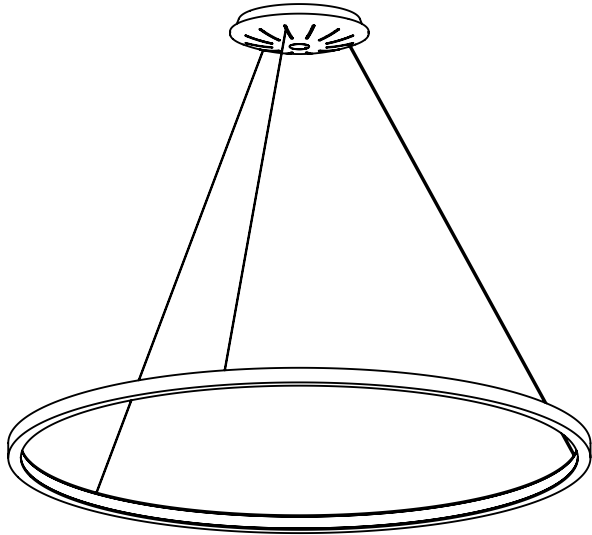
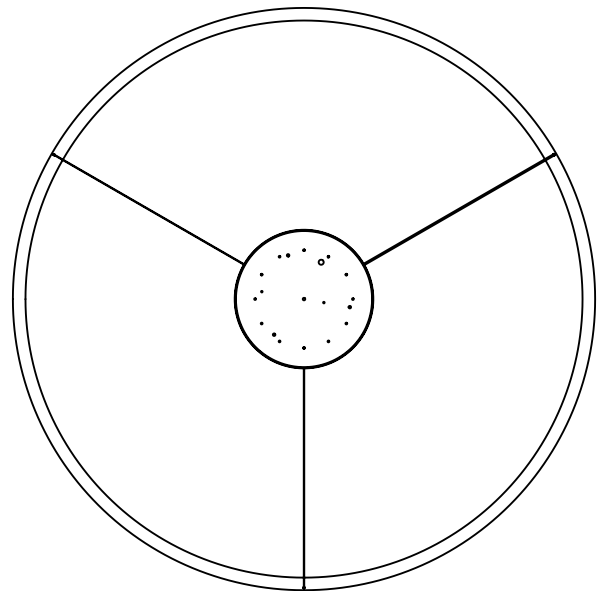
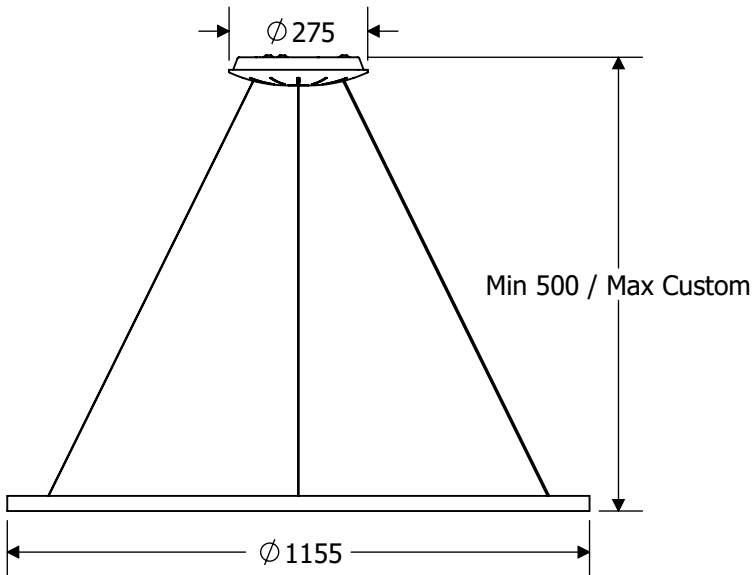


# — CHELSOM —

EST. 1947



INTERNAL FIXING PLATE  
VIEWED FROM BOTTOM



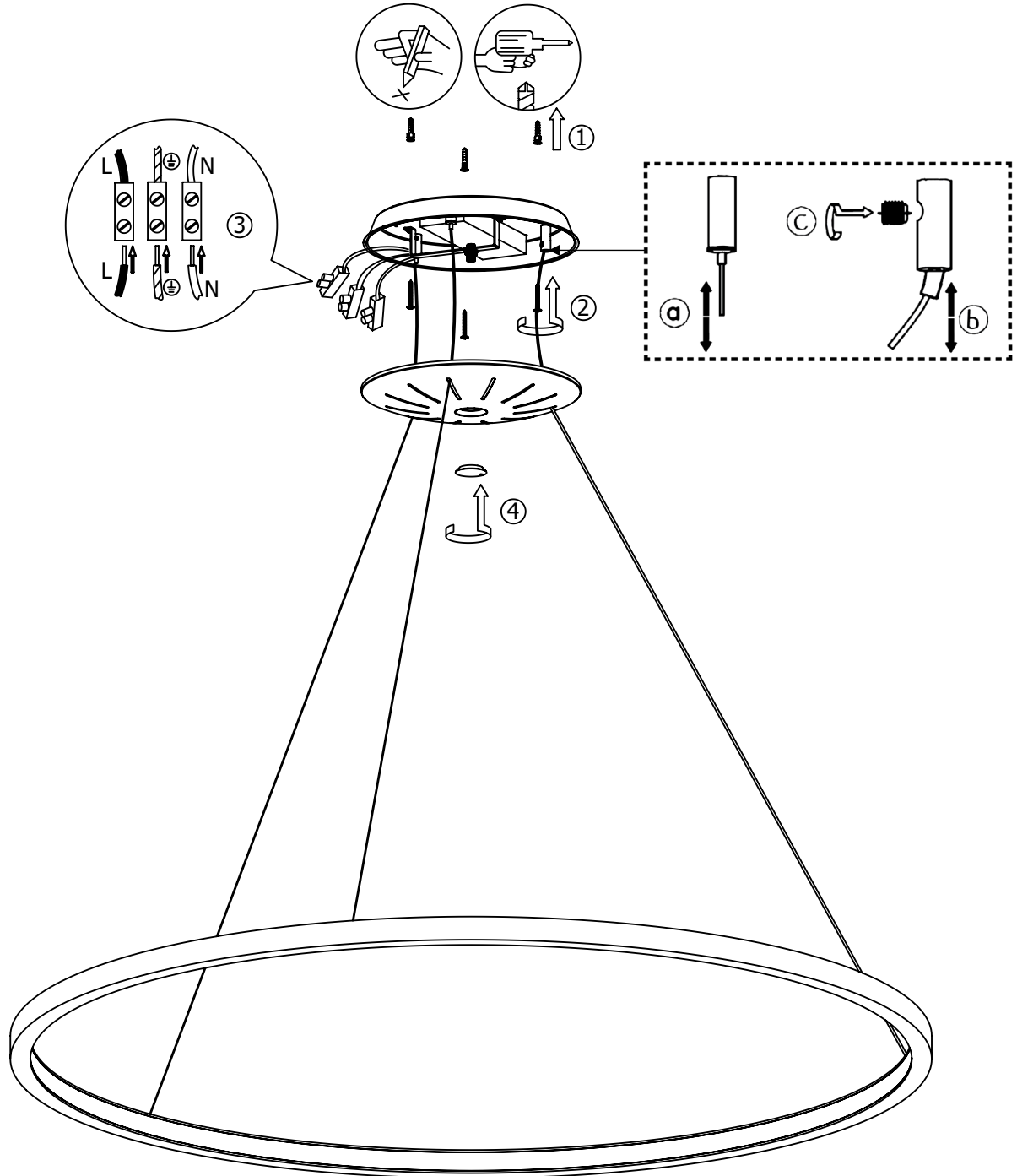
**RS/10/1155**

Revision A

[www.chelsom.co.uk](http://www.chelsom.co.uk)

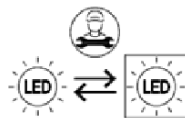
# — CHELSOM —

EST. 1947

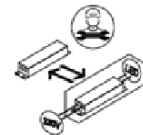


## SLR Information

This product contains a light source of Energy Efficiency Class E Regulation 2021 No. 1095



LED light source replaceable by qualified person



Control gear replaceable by qualified person

[www.chelsom.co.uk](http://www.chelsom.co.uk)