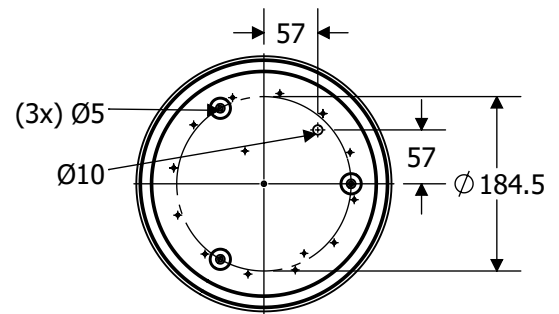
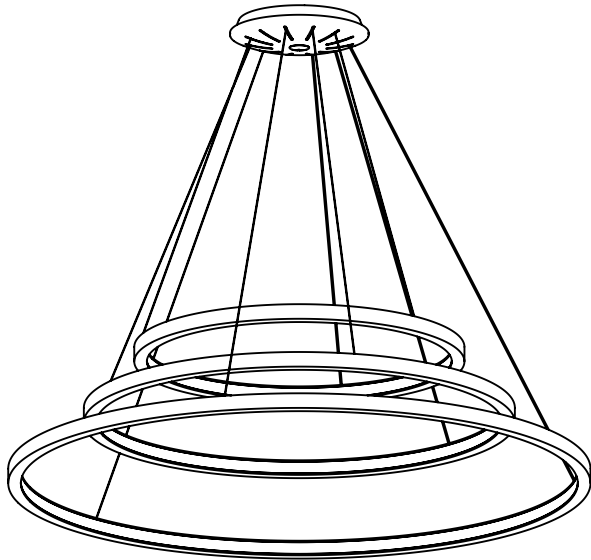
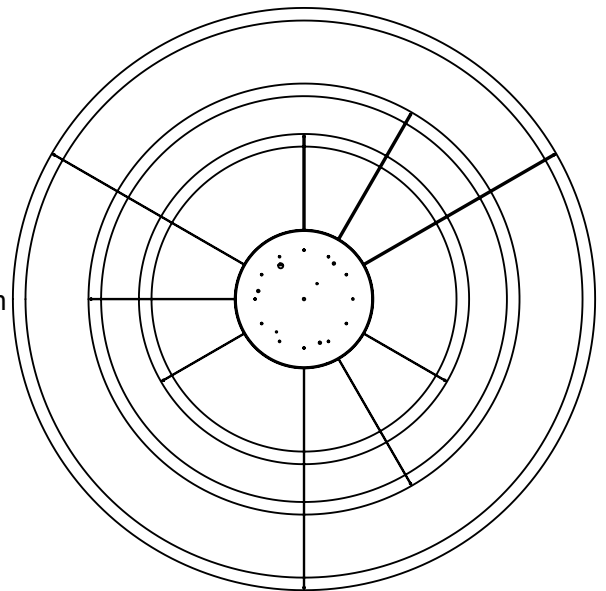
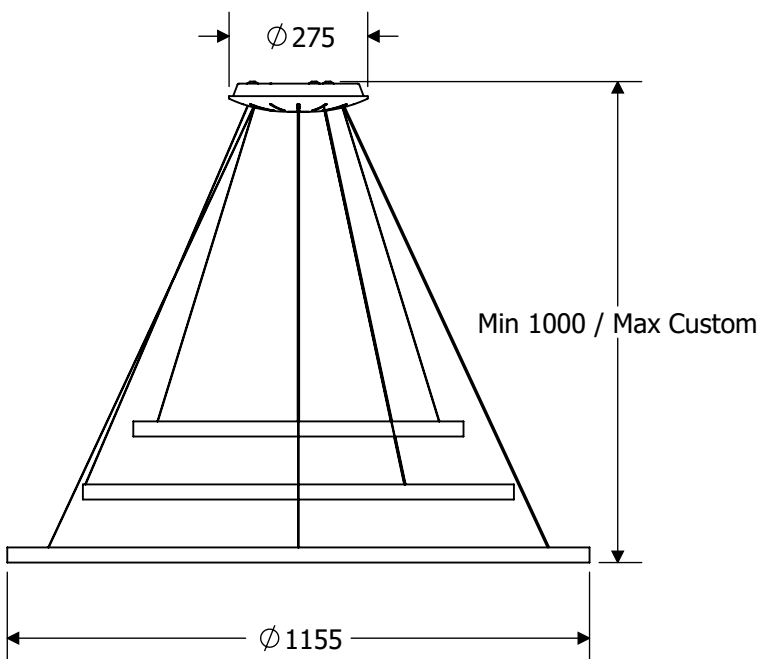


— CHELSOM —

EST. 1947



INTERNAL FIXING PLATE
VIEWED FROM BOTTOM



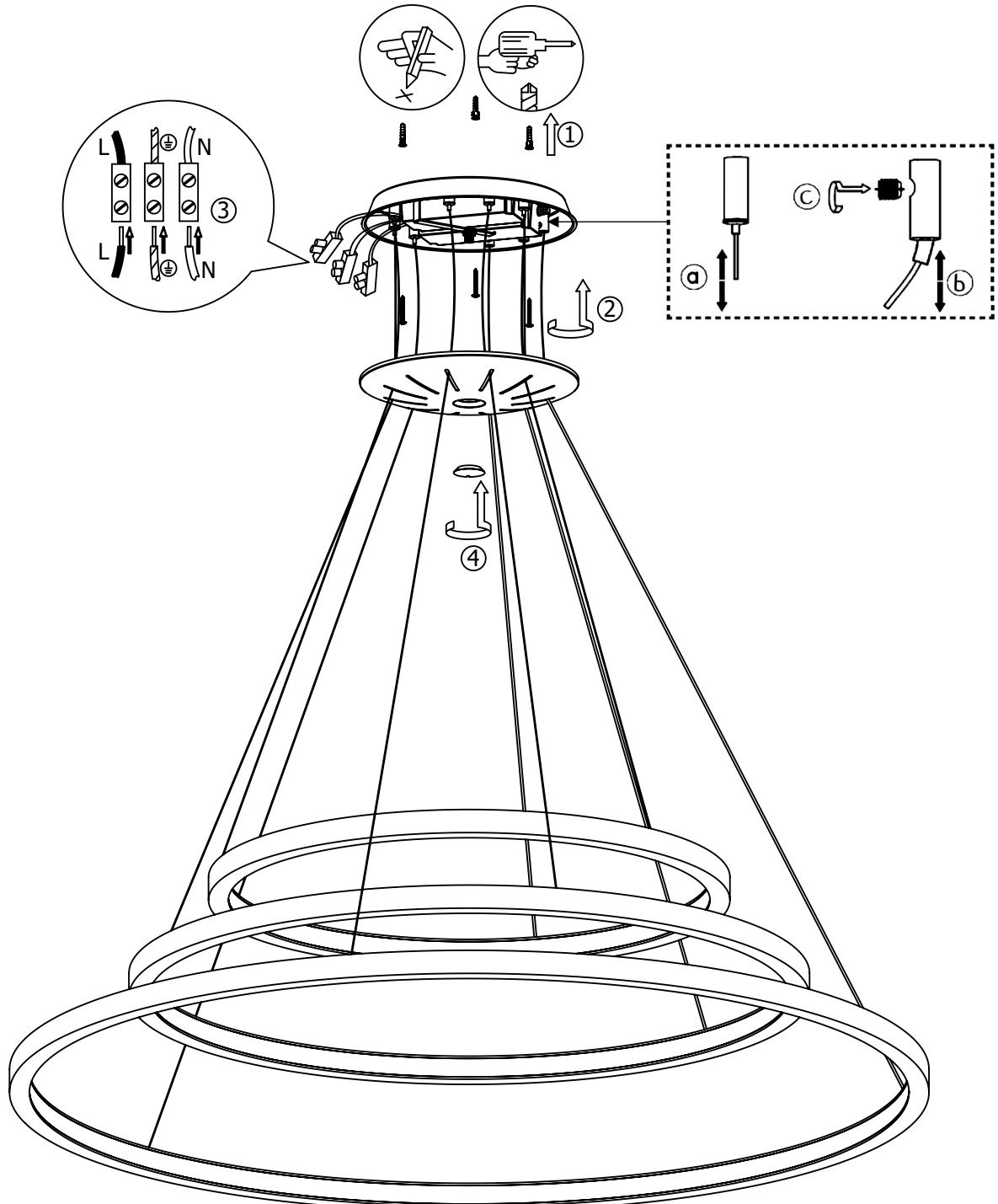
RS/10/00028

Revision A

www.chelsom.co.uk

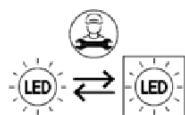
— CHELSOM —

EST. 1947

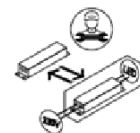


SLR Information

This product contains a light source of Energy Efficiency Class E Regulation 2021 No. 1095



LED light source replaceable by qualified person



Control gear replaceable by qualified person

www.chelsom.co.uk