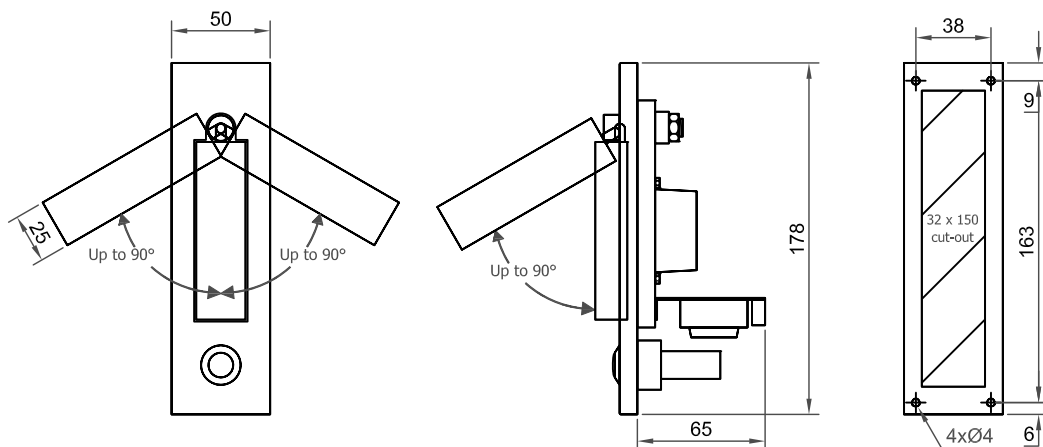
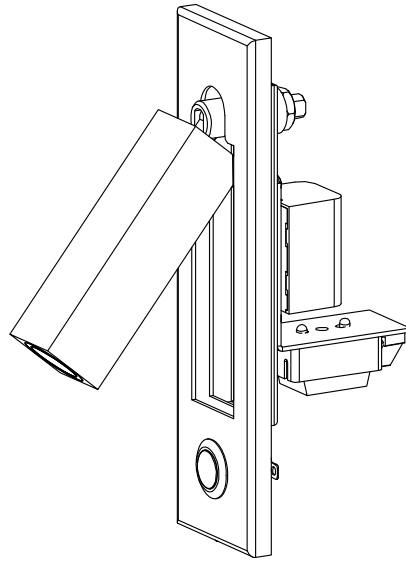


# — CHELSOM —

EST. 1947

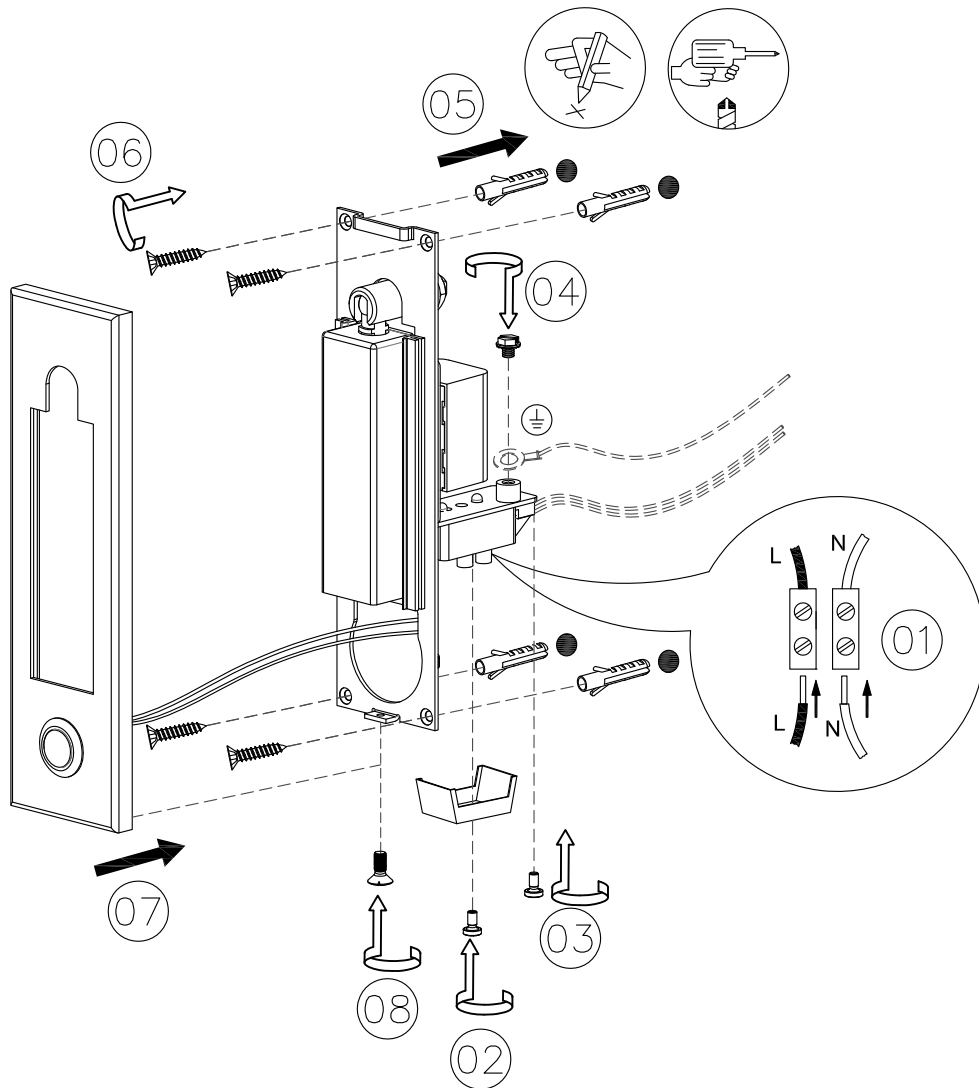


**LED/5/1/SW**

**Revision A**

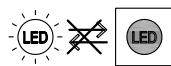
# — CHELSOM —

EST. 1947

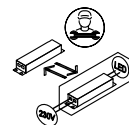


## SLR Information

This product contains a light source of Energy Efficiency Class E Regulation 2021 No. 1095



Non-replaceable light source



Control gear replaceable by qualified person

[www.chelsom.co.uk](http://www.chelsom.co.uk)