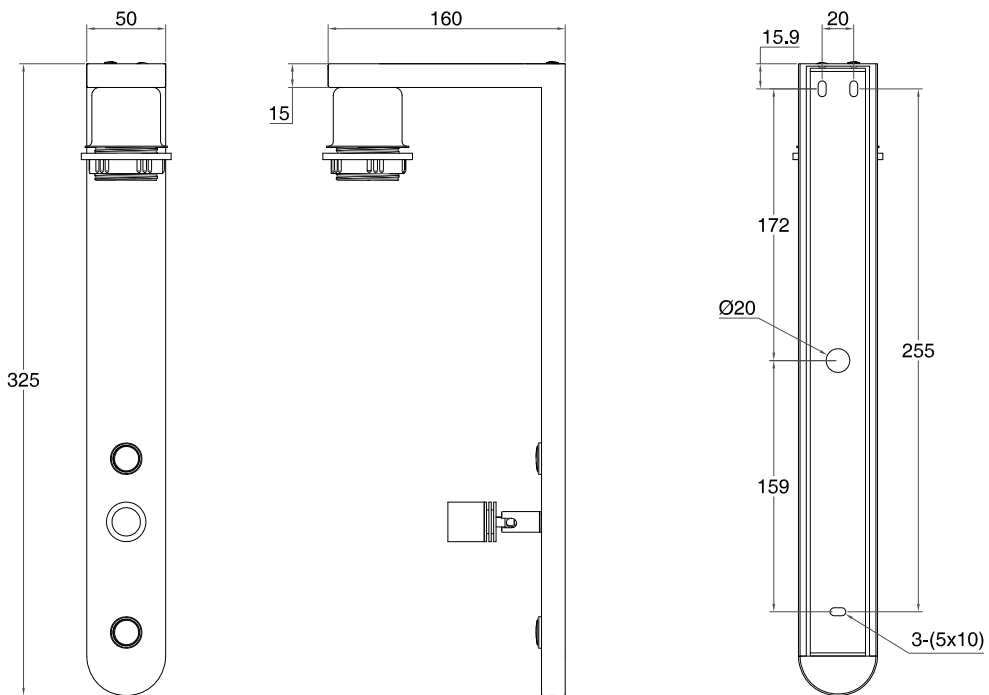
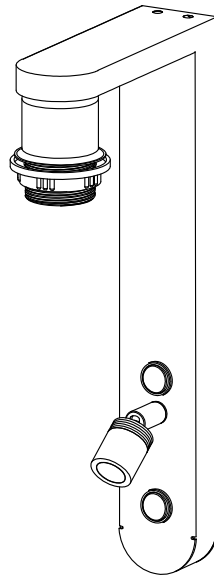


# — CHELSOM —

EST. 1947



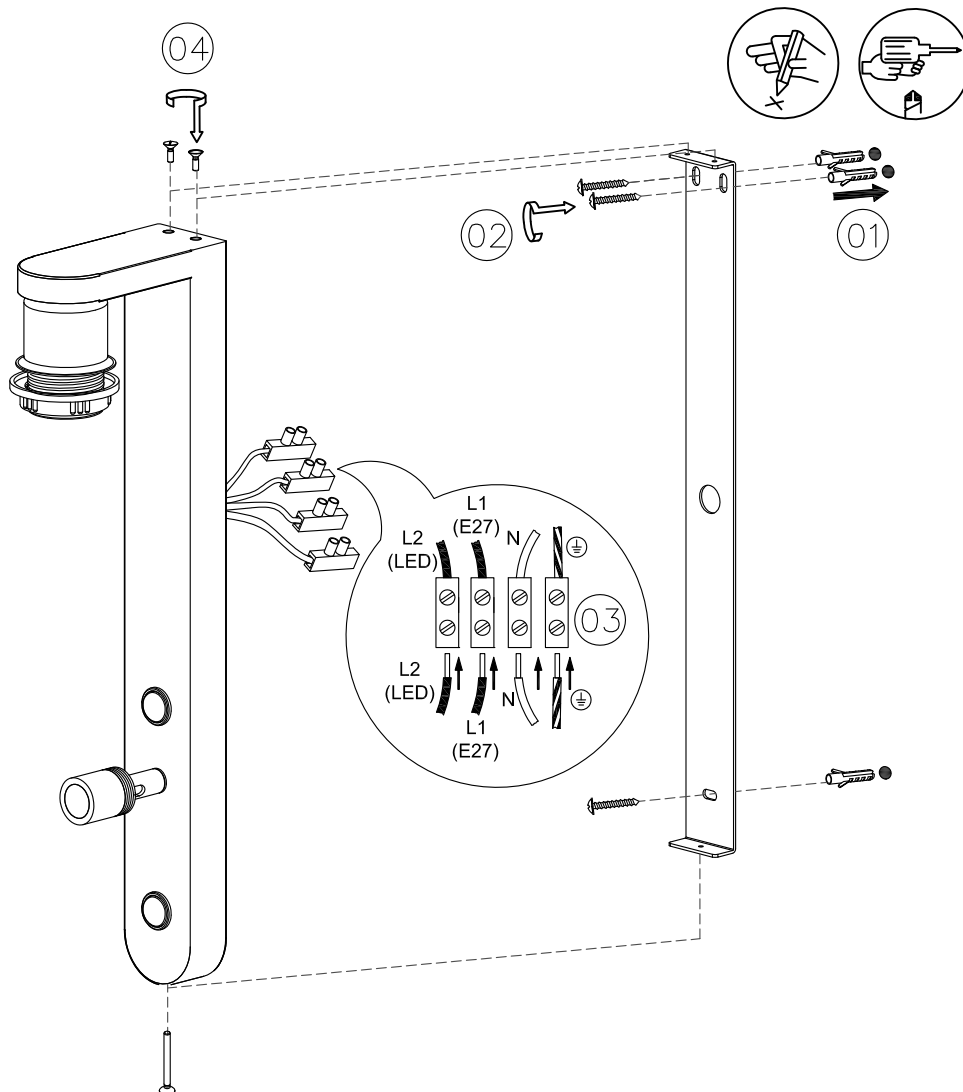
**TR/4/W1/LED**

**Revision A**

# — CHELSOM —

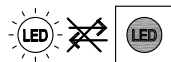
EST. 1947

FOLLOW THE NUMBERED ASSEMBLY SEQUENCE

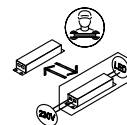


## SLR Information

This product contains a light source  
of Energy Efficiency Class E  
Regulation 2021 No. 1095



Non-replaceable  
light source



Control gear  
replaceable by  
qualified person

[www.chelsom.co.uk](http://www.chelsom.co.uk)