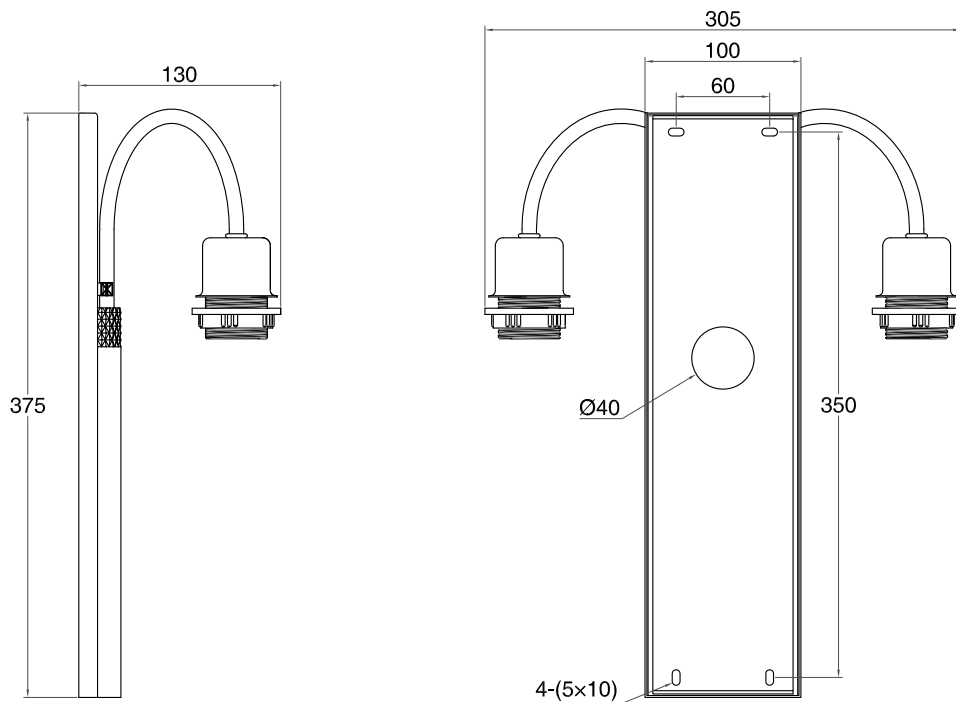
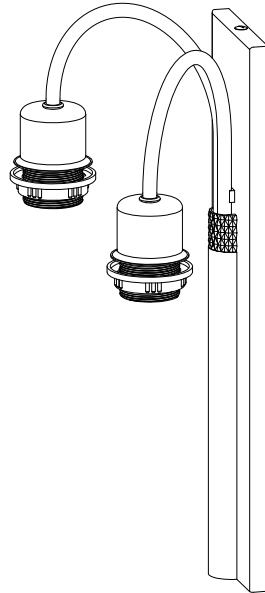


# — CHELSOM —

EST. 1947



**SH/60/W2**

**Revision A**

# — CHELSOM —

EST. 1947

FOLLOW THE NUMBERED ASSEMBLY SEQUENCE

