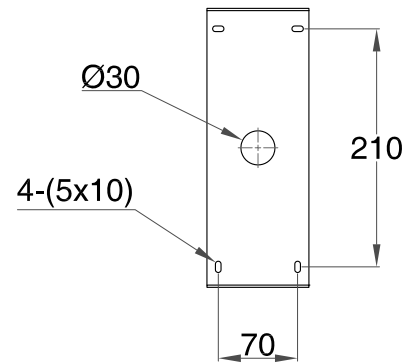
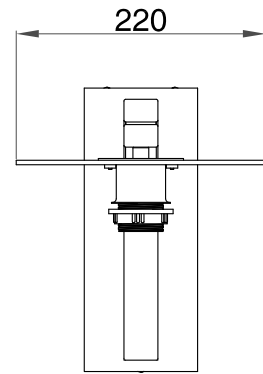
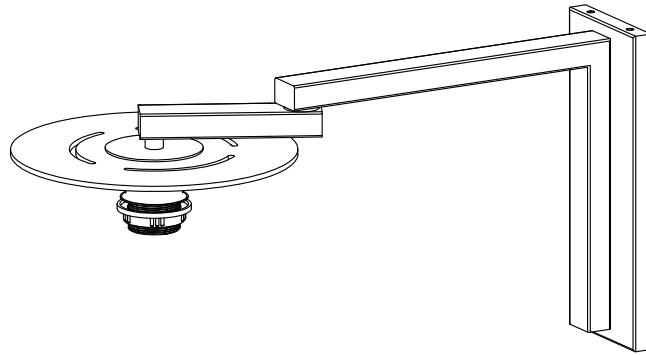


— CHELSOM —

EST. 1947



PK/16/W1

Revision A

— CHELSOM —

EST. 1947

FOLLOW THE NUMBERED ASSEMBLY SEQUENCE

