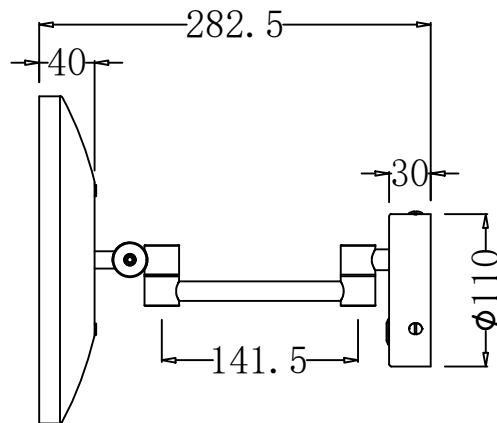
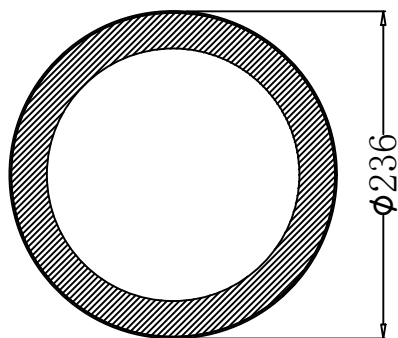
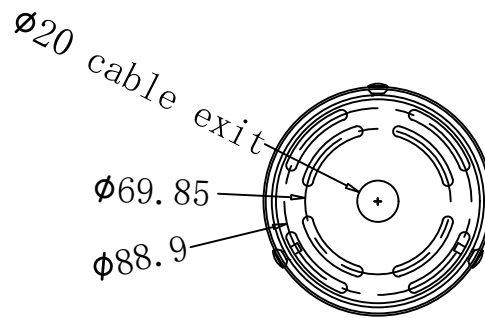
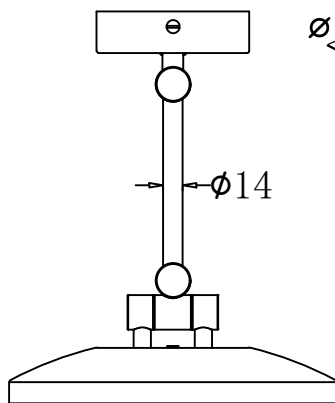
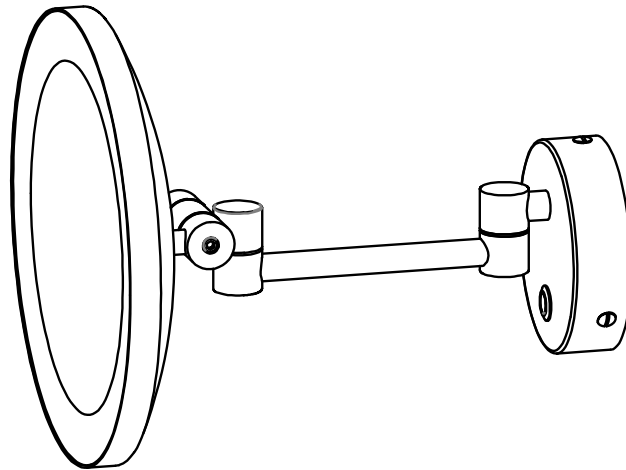


# — CHELSOM —

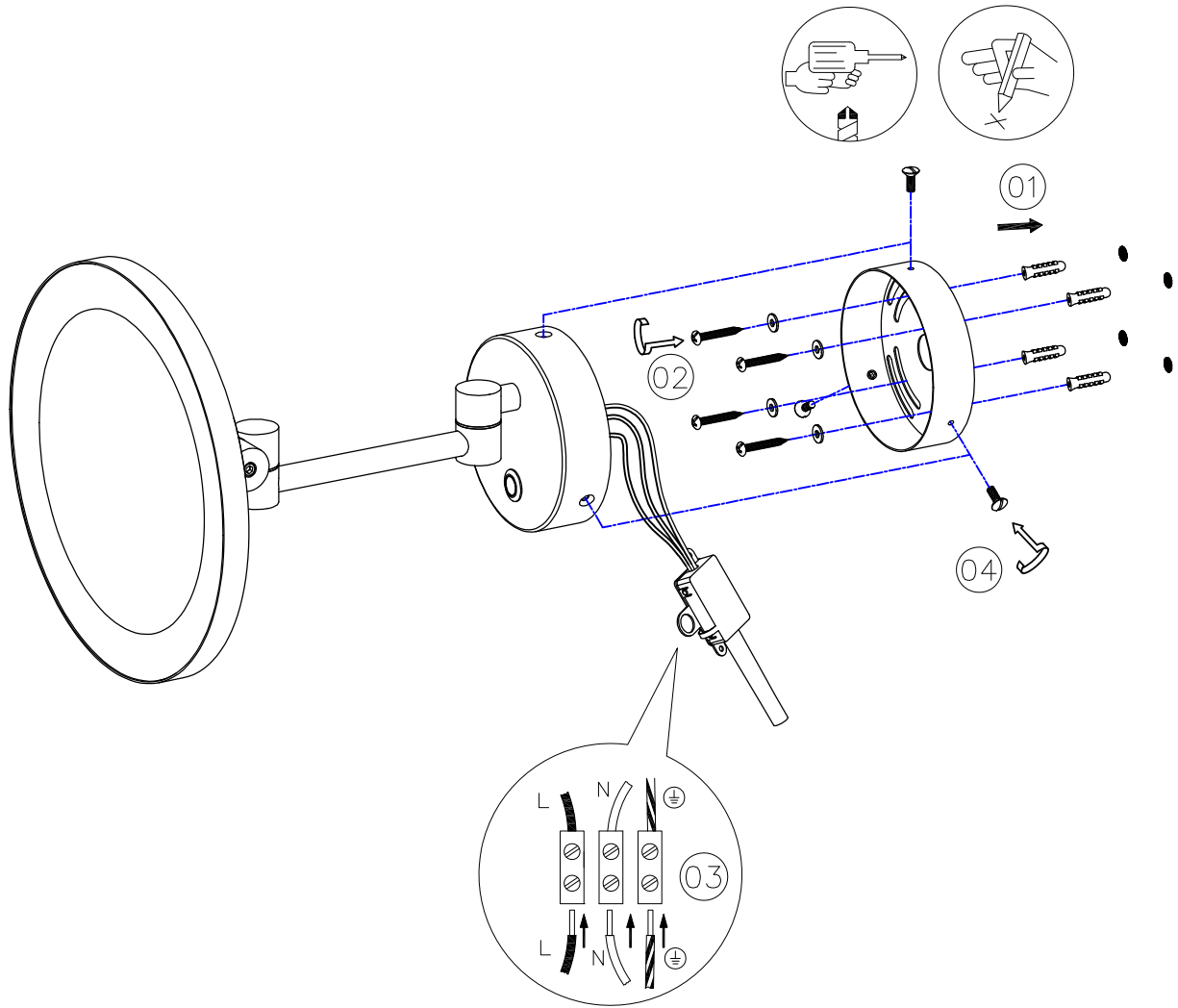
EST. 1947



# — CHELSOM —

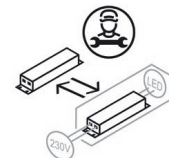
EST. 1947

FOLLOW THE NUMBERED ASSEMBLY SEQUENCE



## SLR Information

This product contains a light source  
of Energy Efficiency Class **F**  
Regulation 2021 No. 1095



Control gear  
replaceable by  
qualified person

[www.chelsom.co.uk](http://www.chelsom.co.uk)