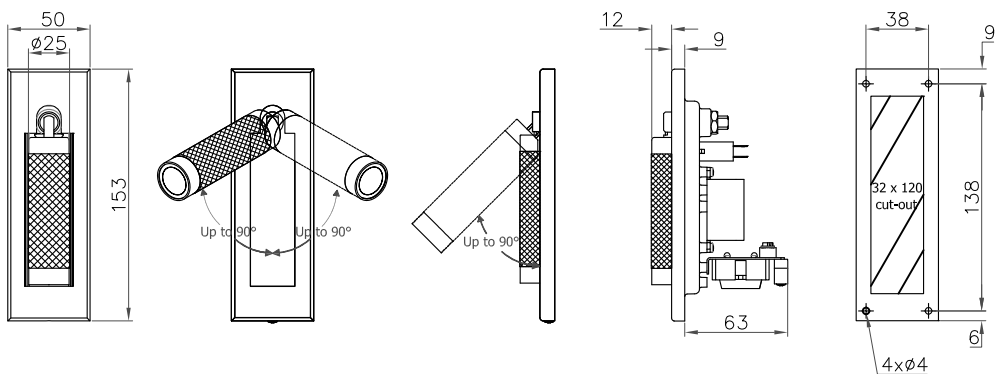
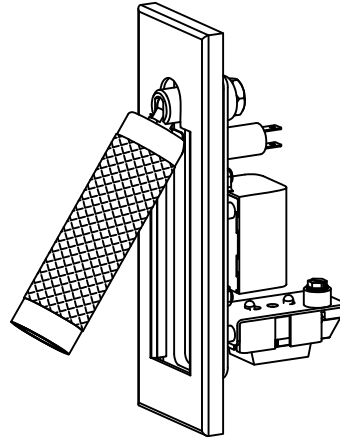


# — CHELSOM —

EST. 1947



**LED/5/2/KNURL**

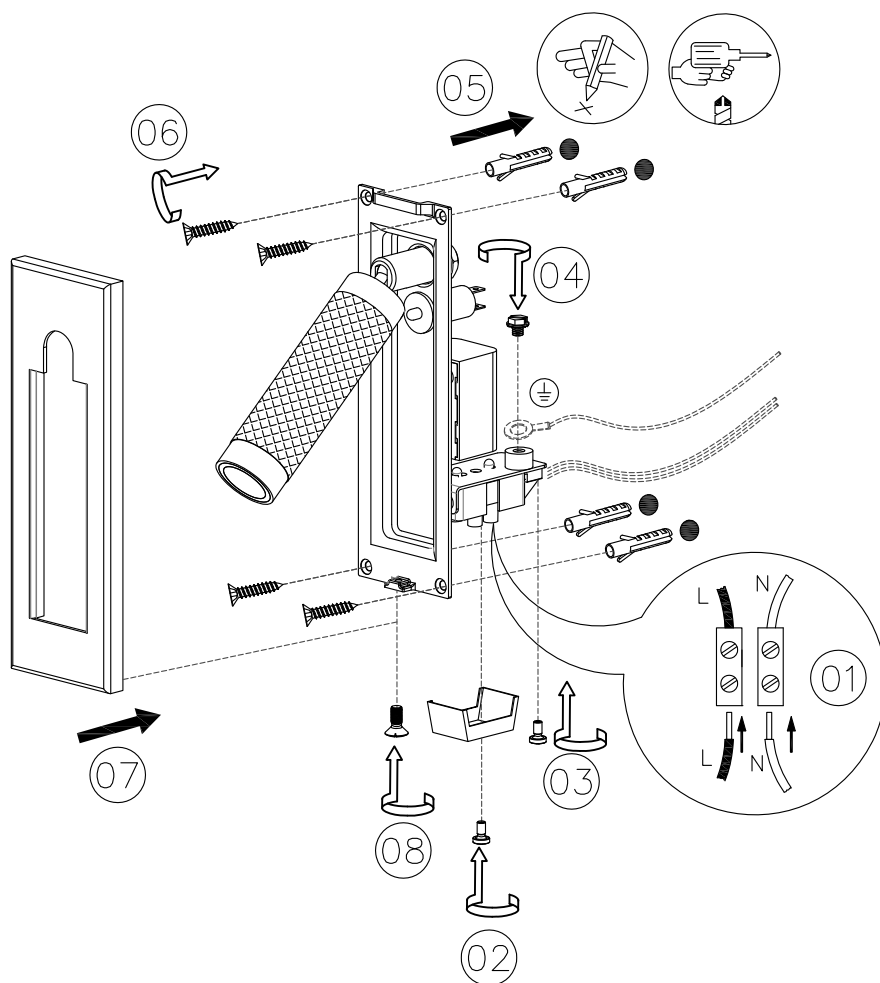
**Revision A**

[www.chelsom.co.uk](http://www.chelsom.co.uk)

# — CHELSOM —

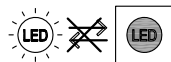
EST. 1947

FOLLOW THE NUMBERED ASSEMBLY SEQUENCE

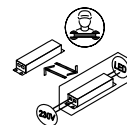


## SLR Information

This product contains a light source of Energy Efficiency Class E Regulation 2021 No. 1095



Non-replaceable light source



Control gear replaceable by qualified person

[www.chelsom.co.uk](http://www.chelsom.co.uk)