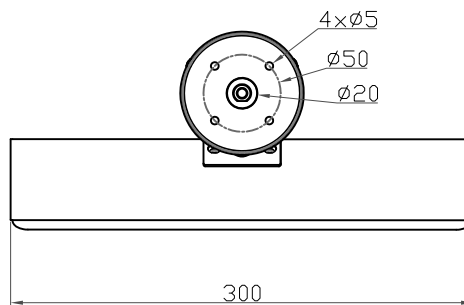
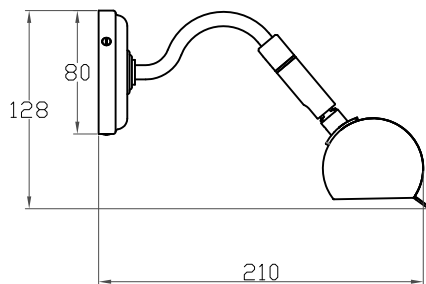
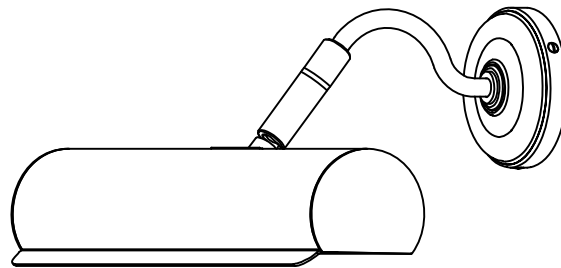


# — CHELSOM —

EST. 1947



**PL/8/300**

# — CHELSOM —

EST. 1947

FOLLOW THE NUMBERED ASSEMBLY SEQUENCE

