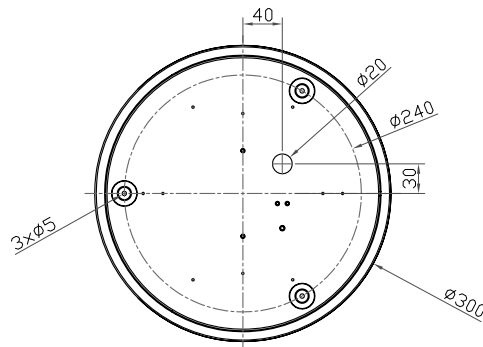
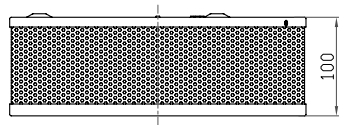
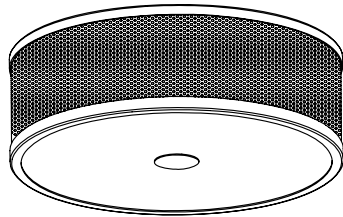


— CHELSOM —

EST. 1947

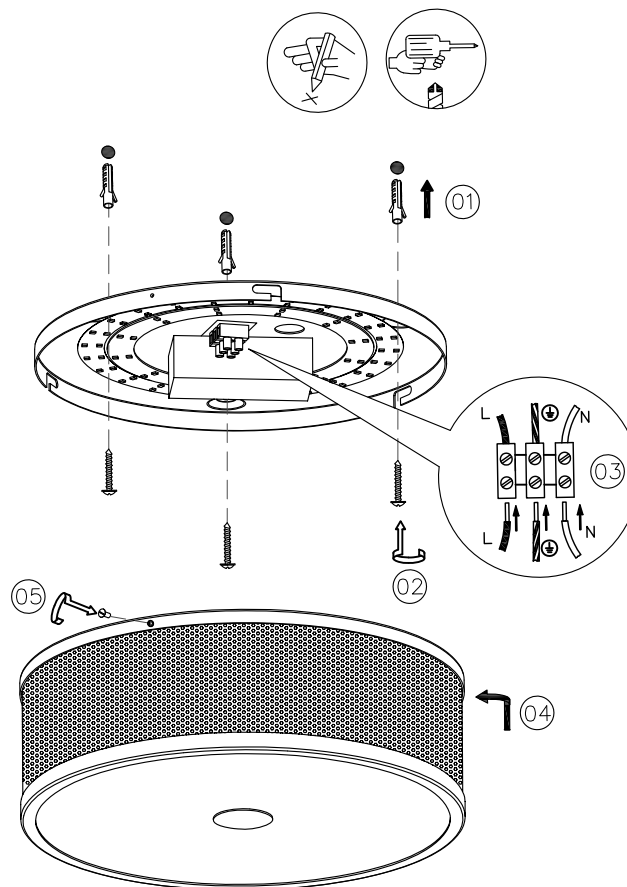


AD/35/FF

— CHELSOM —

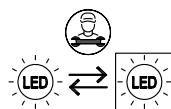
EST. 1947

FOLLOW THE NUMBERED ASSEMBLY SEQUENCE

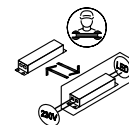


SLR Information

This product contains a light source
of Energy Efficiency Class E
Regulation 2021 No. 1095



LED light source
replaceable by
qualified person



Control gear
replaceable by
qualified person

www.chelsom.co.uk