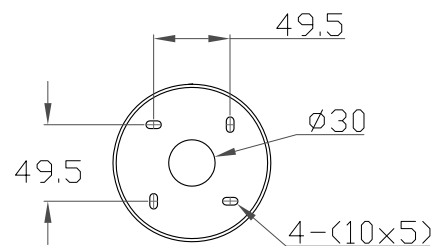
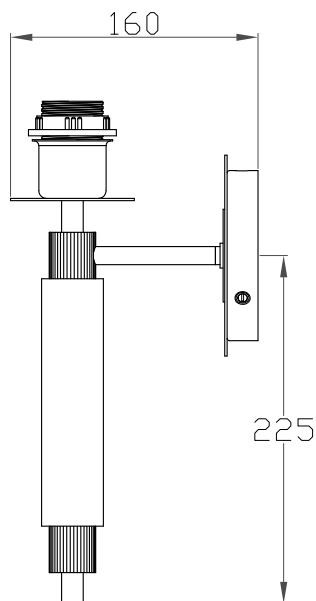
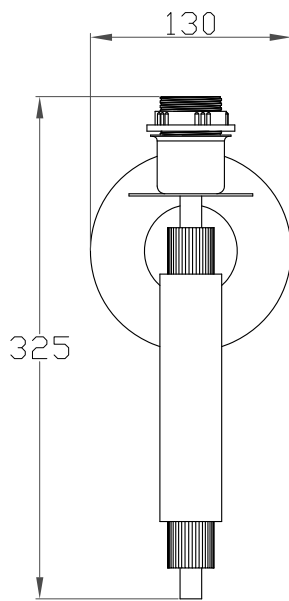
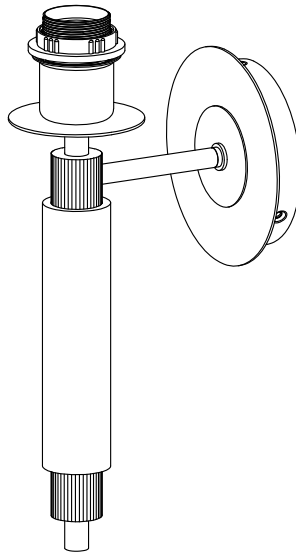


— CHELSOM —

EST. 1947



PI/38/W1

Revision A

— CHELSOM —

EST. 1947

FOLLOW THE NUMBERED ASSEMBLY SEQUENCE

