



FEATURES

SHALLOW PERFORATED METAL SHADE IS SUPPORTED BY DETAILED KNURLED LAMPHOLDER COVER. CAN BE CEILING MOUNTED. PRICED WITH AND COMES COMPLETE WITH LED SQUIRREL CAGE FILAMENT LAMPS AS SHOWN. SUPPLIED FLAT-PACKED TO REDUCE PACKAGING VOLUME AND CARBON FOOTPRINT.

MATERIAL

STEEL

FINISH

ENGLISH BRASS WITH SATIN BLACK

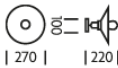
RECOMMENDED LAMP

1 X E27 3W LED 2200K

CERTIFICATIONS

CE UK CA UL IP20

DIMENSIONS



FULL TECHNICAL SPECIFICATION

MATERIAL	STEEL	DIMMABLE AS STANDARD?	YES
FINISH	ENGLISH BRASS WITH SATIN BLACK	DIMMING TYPE	PHASE
LAMPHOLDER TYPE	E27	INSULATION RATING	CLASS I
RECOMMENDED LAMP	1 X E27 3W LED 2200K	IP RATING	IP20
LAMP INCLUDED	YES	PROJECTION	220MM
MAX WATTAGE (RETROFIT)	30W	BACKPLATE DIMENSIONS	100MM DIAMETER
CE	YES	NET PRODUCT WEIGHT	1KG
UKCA	YES	OVERALL HEIGHT AS SHOWN	270MM
UL	YES	OVERALL WIDTH AS SHOWN	270MM

FOR MORE INFORMATION ABOUT THIS PRODUCT:

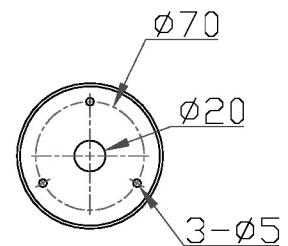
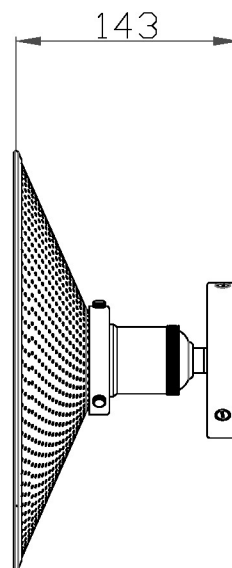
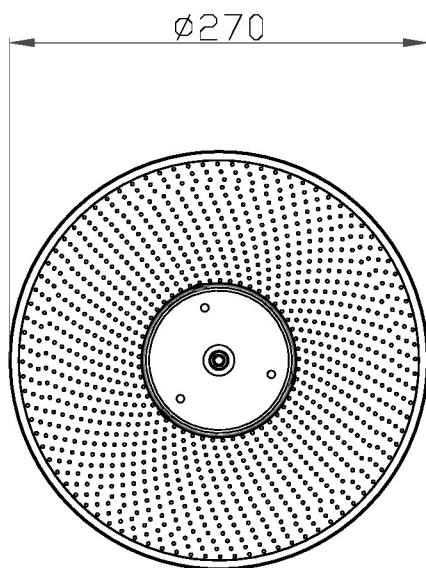
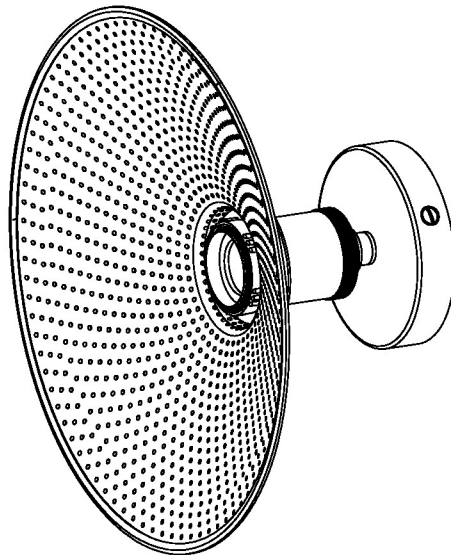
Email: sales@chelsom.co.uk | Call: +44 (0)1253 831400

Chelsom Limited, Heritage House, Clifton Road, Blackpool, Lancashire FY4 4QA, United Kingdom

wordpress-700079-2614039.cloudwaysapps.com

— CHELSOM —

EST. 1947



— CHELSOM —

EST. 1947

FOLLOW THE NUMBERED ASSEMBLY SEQUENCE

