



FEATURES

A ROUND STEPPED BACKPLATE SUPPORTS A SHEPHERD'S CROOK STYLE ARM ALLOWING A GOOD SPREAD OF DOWNLIGHT. LAMPHOLDER COVER HAS KNURLED DETAILING.

MATERIAL

STEEL

FINISH

ENGLISH BRASS WITH SATIN BLACK

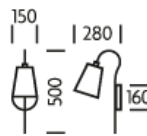
RECOMMENDED LAMP

1 X E27 7W LED 2700K

CERTIFICATIONS

CE UKCA UL ± IP20

DIMENSIONS



FULL TECHNICAL SPECIFICATION

MATERIAL	STEEL	DIMMING TYPE	PHASE
FINISH	ENGLISH BRASS WITH SATIN BLACK	INSULATION RATING	CLASS I
LAMPHOLDER TYPE	E27	IP RATING	IP20
RECOMMENDED LAMP	1 X E27 7W LED 2700K	PROJECTION	280MM
MAX WATTAGE (RETROFIT)	30W	BACKPLATE DIMENSIONS	160MM DIAMETER
CE	YES	NET PRODUCT WEIGHT	1KG
UKCA	YES	OVERALL HEIGHT AS SHOWN	500MM
UL	YES	OVERALL WIDTH AS SHOWN	160MM
DIMMABLE AS STANDARD?	YES		

FOR MORE INFORMATION ABOUT THIS PRODUCT:

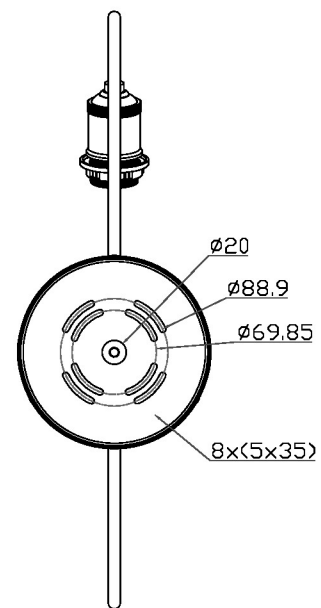
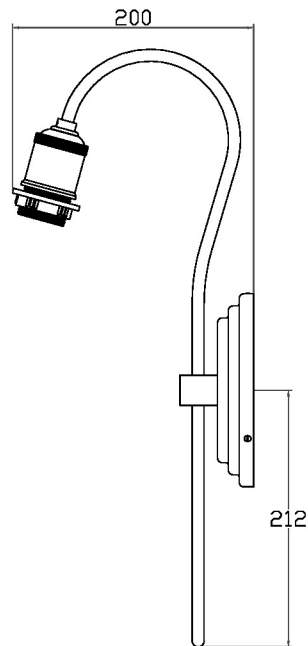
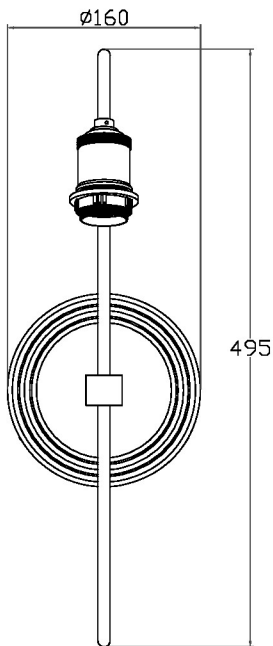
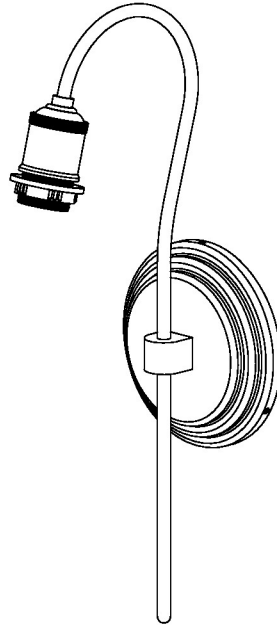
Email: sales@chelsom.co.uk | Call: +44 (0)1253 831400

Chelsom Limited, Heritage House, Clifton Road, Blackpool, Lancashire FY4 4QA, United Kingdom

wordpress-700079-2614039.cloudwaysapps.com

— CHELSOM —

EST. 1947



— CHELSOM —

EST. 1947

FOLLOW THE NUMBERED ASSEMBLY SEQUENCE

