



FEATURES

HEAVY CIRCULAR GLASS HAS DEEP CONCENTRIC REBATES CREATING A LIGHT EFFECT OF RIPPLES ON A POND. GIVES A DECORATIVE SPILL OF LIGHT ONTO WALL.

MATERIAL

STEEL AND GLASS

FINISH

SATIN BLACK WITH ENGLISH BRASS ACCENTS AND SMOKE GLASS

CERTIFICATIONS

CE UK CA UL IP20

DIMENSIONS



FULL TECHNICAL SPECIFICATION

MATERIAL	STEEL AND GLASS	DIMMING TYPE	PHASE
FINISH	SATIN BLACK WITH ENGLISH BRASS ACCENTS AND SMOKE GLASS	INSULATION RATING	CLASS I
LAMPHOLDER TYPE	INTEGRAL LED	IP RATING	IP20
INTEGRAL LIGHT SOURCE	LED 8W 2700K	WIDTH	300
COLOUR TEMPERATURE	2700K	HEIGHT	555
WATTAGE (W) - INTEGRAL LED	8W	PROJECTION	65MM
CE	YES	BACKPLATE DIMENSIONS	120MM DIAMETER
UKCA	YES	NET PRODUCT WEIGHT	4KG
UL	YES	OVERALL HEIGHT AS SHOWN	555MM
DRIVER LOCATION	INTEGRAL	OVERALL WIDTH AS SHOWN	300MM
DIMMABLE AS STANDARD?	YES		

FOR MORE INFORMATION ABOUT THIS PRODUCT:

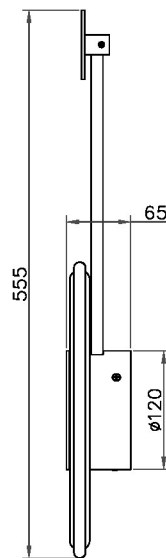
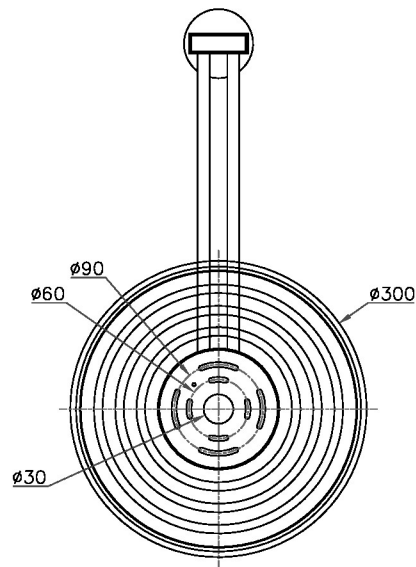
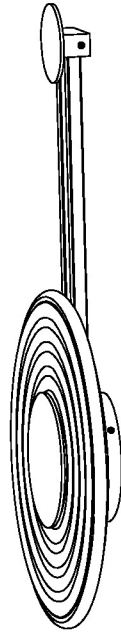
Email: sales@chelsom.co.uk | Call: +44 (0)1253 831400

Chelsom Limited, Heritage House, Clifton Road, Blackpool, Lancashire FY4 4QA, United Kingdom

wordpress-700079-2614039.cloudwaysapps.com

— CHELSOM —

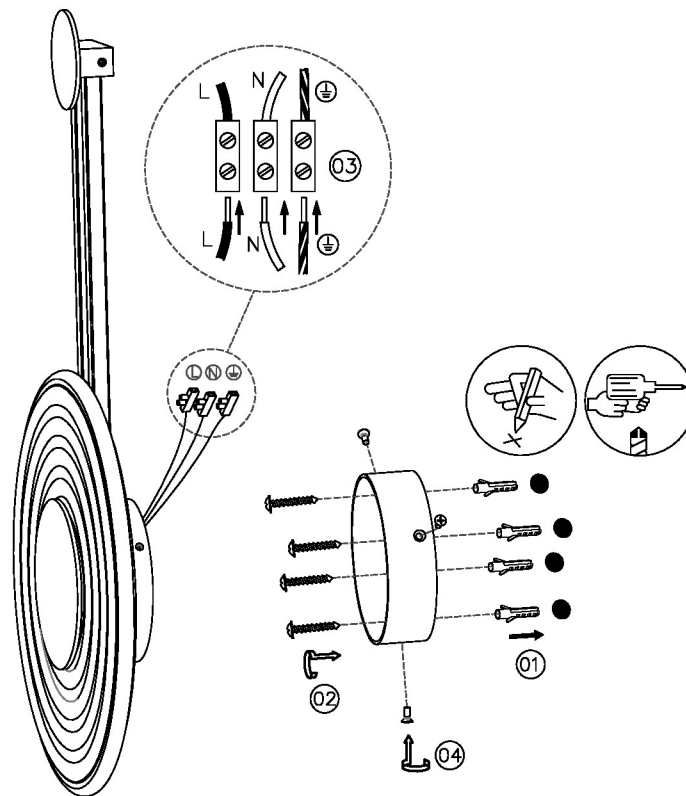
EST. 1947



— CHELSOM —

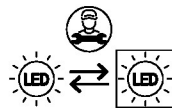
EST. 1947

FOLLOW THE NUMBERED ASSEMBLY SEQUENCE

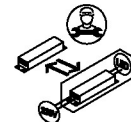


SLR Information

This product contains a light source
of Energy Efficiency Class E
Regulation 2021 No. 1095



LED light source
replaceable by
qualified person



Control gear
replaceable by
qualified person

www.chelsom.co.uk