



FEATURES

REDISCOVERED ARTISAN GLASS MOULD CREATES STUNNING GEOMETRIC PATTERNED MOUTHBLOWN GLASS PENDANT. SUSPENSION UNIT HAS KNURLED DETAILING. PRICED WITH AND COMES COMPLETE WITH LAMP AS SHOWN.

MATERIAL

GLASS AND STEEL

FINISH

MOCCA (MOCCA) GLASS WITH GOLDEN BRONZE METALWORK AND BLACK SILK-COVERED CABLE

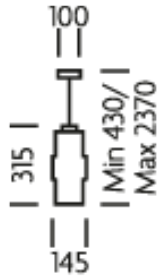
RECOMMENDED LAMP

1 X E27 4.5W LED 2100K

CERTIFICATIONS

CE UK CA UL ± IP20

DIMENSIONS



Weight 2kg

FULL TECHNICAL SPECIFICATION

MATERIAL	GLASS AND STEEL	DIMMING TYPE	PHASE
FINISH	MOCCA (MOCCA) GLASS WITH GOLDEN BRONZE METALWORK AND BLACK SILK-COVERED CABLE	INSULATION RATING	CLASS I
LAMPHOLDER TYPE	E27	IP RATING	IP20
RECOMMENDED LAMP	1 X E27 4.5W LED 2100K	WIDTH	145
LAMP INCLUDED	YES	HEIGHT	295
MAX WATTAGE (RETROFIT)	30W	MINIMUM DROP	430MM
CE	YES	MAXIMUM DROP	2370MM
UKCA	YES	CEILING PLATE DIMENSIONS	100MM DIAMETER
UL	YES	NET PRODUCT WEIGHT	2KG
SUSPENSION TYPE	BLACK SILK-COVERED CABLE	OVERALL WIDTH AS SHOWN	145MM
DIMMABLE AS STANDARD?	YES		

FOR MORE INFORMATION ABOUT THIS PRODUCT:

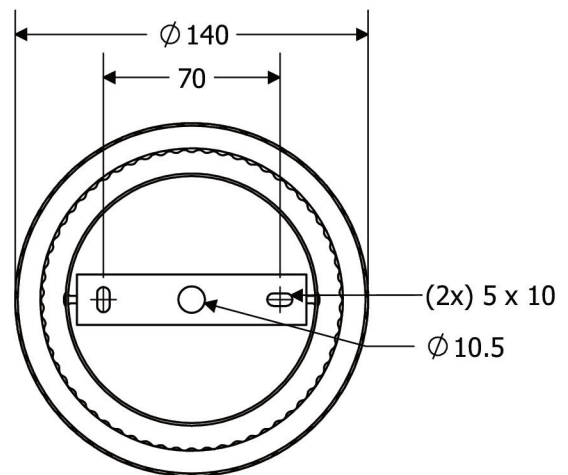
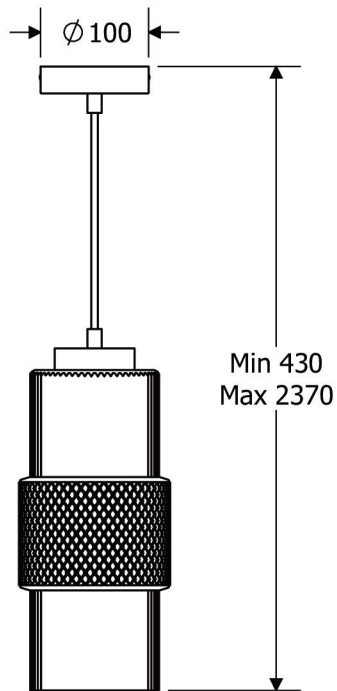
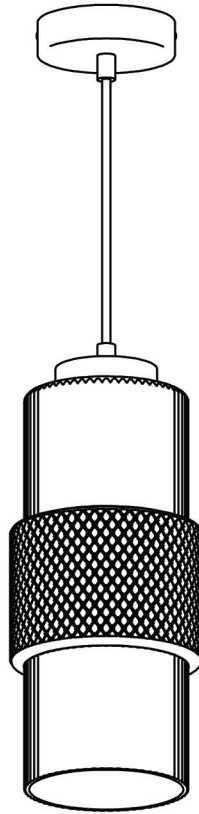
Email: sales@chelsom.co.uk | Call: +44 (0)1253 831400

Chelsom Limited, Heritage House, Clifton Road, Blackpool, Lancashire FY4 4QA, United Kingdom

wordpress-700079-2614039.cloudwaysapps.com

— CHELSOM —

EST. 1947



— CHELSOM —

EST. 1947

