



### FEATURES

CONICAL TURNING IN CONTRASTING BRUSHED BRASS JOINS BACKPLATE TO ARM. FULL RANGE OF OPTIONAL SHADES AVAILABLE.

### MATERIAL

STEEL

### FINISH

SATIN BLACK WITH BRUSHED BRASS (BL/BRB)

### RECOMMENDED LAMP

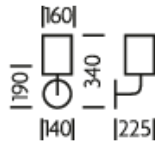
1 X E27 7W LED 2700K

### CERTIFICATIONS

CE UKCA UL ± IP20

**studio**<sup>c</sup>

### DIMENSIONS



## FULL TECHNICAL SPECIFICATION

<b>MATERIAL</b>	STEEL	<b>IP RATING</b>	IP20
<b>FINISH</b>	SATIN BLACK WITH BRUSHED BRASS (BL/BRB)	<b>WIDTH WITH SHADE</b>	140
<b>LAMPHOLDER TYPE</b>	E27	<b>HEIGHT</b>	170
<b>RECOMMENDED LAMP</b>	1 X E27 7W LED 2700K	<b>HEIGHT WITH SHADE</b>	340
<b>MAX WATTAGE (RETROFIT)</b>	30W	<b>PROJECTION</b>	225MM
<b>CE</b>	YES	<b>BACKPLATE DIMENSIONS</b>	140MM DIAMETER
<b>UKCA</b>	YES	<b>NET PRODUCT WEIGHT</b>	1.3KG
<b>UL</b>	YES	<b>OVERALL HEIGHT WITH SHADE AS SHOWN</b>	340MM
<b>DIMMABLE AS STANDARD?</b>	YES	<b>OVERALL HEIGHT WITHOUT SHADE</b>	190MM
<b>DIMMING TYPE</b>	PHASE	<b>OVERALL WIDTH WITH SHADE AS SHOWN</b>	160MM
<b>INSULATION RATING</b>	CLASS I	<b>OVERALL WIDTH WITHOUT SHADE</b>	140MM

### FOR MORE INFORMATION ABOUT THIS PRODUCT:

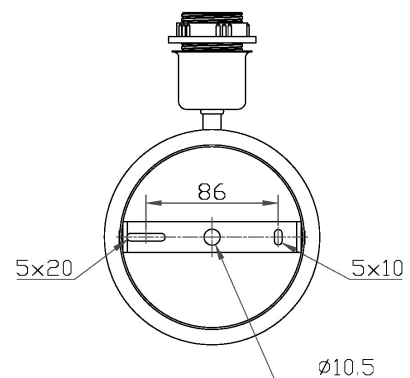
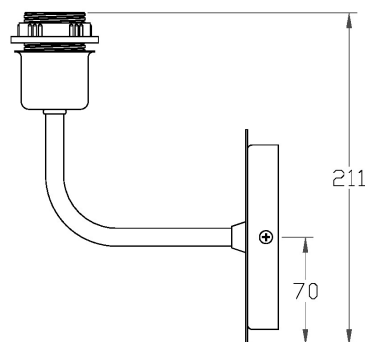
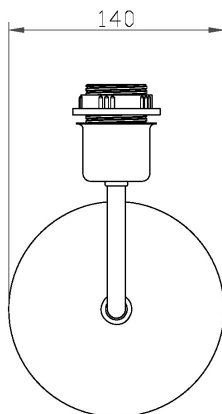
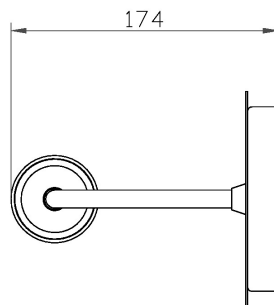
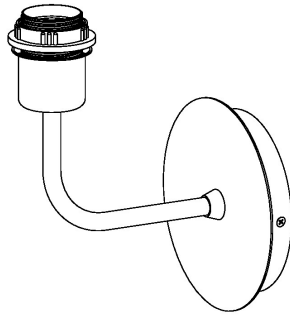
Email: [sales@chelsom.co.uk](mailto:sales@chelsom.co.uk) | Call: +44 (0)1253 831400

Chelsom Limited, Heritage House, Clifton Road, Blackpool, Lancashire FY4 4QA, United Kingdom

[wordpress-700079-2614039.cloudwaysapps.com](http://wordpress-700079-2614039.cloudwaysapps.com)

# — CHELSOM —

EST. 1947



# — CHELSOM —

EST. 1947

FOLLOW THE NUMBERED ASSEMBLY SEQUENCE

