



## FEATURES

ARM SWIVELS LEFT/RIGHT. PRICE AND DIMENSIONS INCLUDE SHADE SHOWN.

## MATERIAL

STEEL

## FINISH

POLISHED CHROME (C)

## RECOMMENDED LAMP

1 X E27 7W LED 2700K

## CERTIFICATIONS

CE UKCA UL ± IP20

**studio**<sup>c</sup>

## DIMENSIONS



## FULL TECHNICAL SPECIFICATION

<b>MATERIAL</b>	STEEL	<b>INSULATION RATING</b>	CLASS I
<b>FINISH</b>	POLISHED CHROME (C)	<b>IP RATING</b>	IP20
<b>LAMPHOLDER TYPE</b>	E27	<b>WIDTH WITH SHADE</b>	150
<b>RECOMMENDED LAMP</b>	1 X E27 7W LED 2700K	<b>HEIGHT WITH SHADE</b>	420
<b>MAX WATTAGE (RETROFIT)</b>	30W	<b>PROJECTION</b>	270MM
<b>CE</b>	YES	<b>BACKPLATE DIMENSIONS</b>	100MM DIAMETER
<b>UKCA</b>	YES	<b>NET PRODUCT WEIGHT</b>	0.9KG
<b>UL</b>	YES	<b>OVERALL HEIGHT AS SHOWN</b>	420MM
<b>DIMMABLE AS STANDARD?</b>	YES	<b>OVERALL WIDTH AS SHOWN</b>	170MM
<b>DIMMING TYPE</b>	PHASE		

### FOR MORE INFORMATION ABOUT THIS PRODUCT:

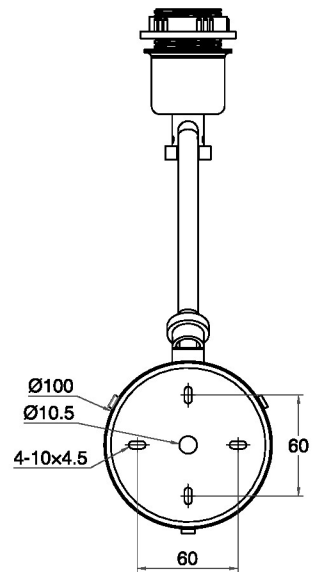
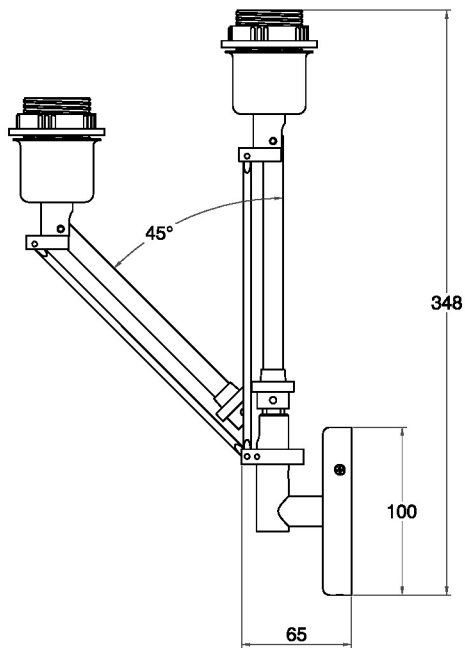
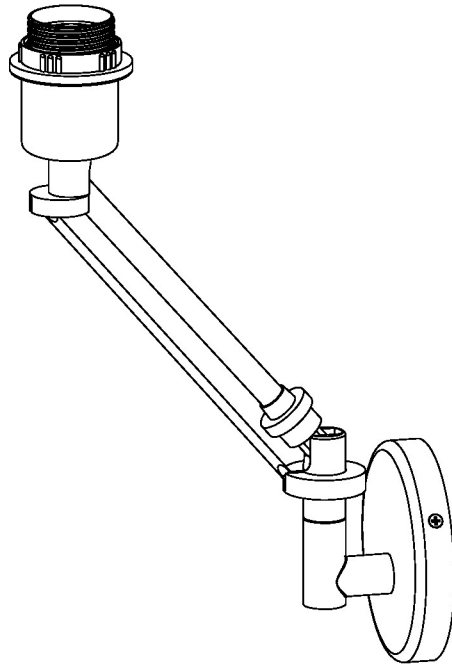
Email: [sales@chelsom.co.uk](mailto:sales@chelsom.co.uk) | Call: +44 (0)1253 831400

Chelsom Limited, Heritage House, Clifton Road, Blackpool, Lancashire FY4 4QA, United Kingdom

[wordpress-700079-2614039.cloudwaysapps.com](http://wordpress-700079-2614039.cloudwaysapps.com)

# — CHELSOM —

EST. 1947



# — CHELSOM —

EST. 1947

FOLLOW THE NUMBERED ASSEMBLY SEQUENCE

