



FEATURES

THIS COMBINATION WALL LIGHT IS FOR TWIN BED CONFIGURATION WITH MAIN LIGHT SWITCHED REMOTELY AND TWO CYLINDRICAL LED HEADS WITH BLACK ON/OFF SWITCHES. INTEGRAL SWITCHING TO SPECIAL ORDER FOR MINIMUM 50 PIECES.

MATERIAL

STEEL

FINISH

BRUSHED NICKEL (BN)

RECOMMENDED LAMP

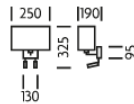
1 X E27 7W LED 2700K PLUS 2 X LED 1W 2700K

CERTIFICATIONS

CE UK CA UL ± IP20

studio^c

DIMENSIONS



FULL TECHNICAL SPECIFICATION

MATERIAL	STEEL	INSULATION RATING	CLASS I
FINISH	BRUSHED NICKEL (BN)	IP RATING	IP20
LAMPHOLDER TYPE	E27 AND INTEGRAL LED	WIDTH	130
RECOMMENDED LAMP	1 X E27 7W LED 2700K PLUS 2 X LED 1W 2700K	WIDTH WITH SHADE	250
COLOUR TEMPERATURE	2700K	HEIGHT WITH SHADE	325
MAX WATTAGE (RETROFIT)	30W	PROJECTION	190MM
WATTAGE (W) - INTEGRAL LED	2W	BACKPLATE DIMENSIONS	95 X 130MM
CE	YES	NET PRODUCT WEIGHT	0.67KG
UKCA	YES	OVERALL HEIGHT WITH SHADE AS SHOWN	325MM
UL	YES	OVERALL HEIGHT WITHOUT SHADE	215MM
DRIVER LOCATION	INTEGRAL	OVERALL WIDTH WITH SHADE AS SHOWN	250MM
SWITCH TYPE	PUSH	OVERALL WIDTH WITHOUT SHADE	130MM
DIMMABLE AS STANDARD?	BY REQUEST ONLY		

FOR MORE INFORMATION ABOUT THIS PRODUCT:

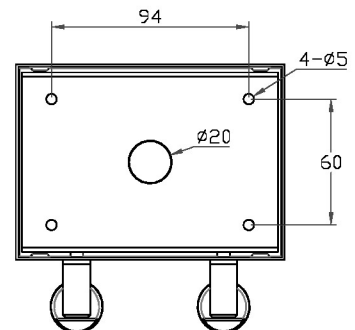
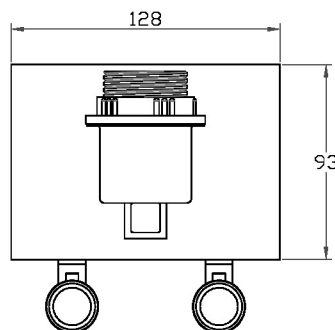
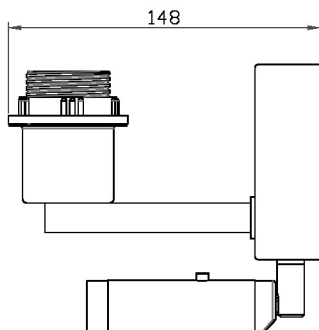
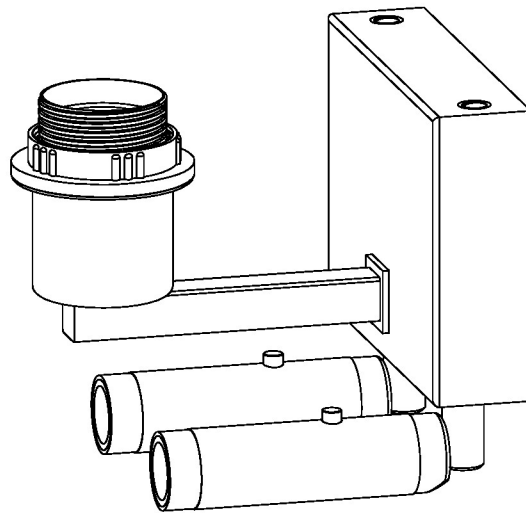
Email: sales@chelsom.co.uk | Call: +44 (0)1253 831400

Chelsom Limited, Heritage House, Clifton Road, Blackpool, Lancashire FY4 4QA, United Kingdom

wordpress-700079-2614039.cloudwaysapps.com

— CHELSOM —

EST. 1947



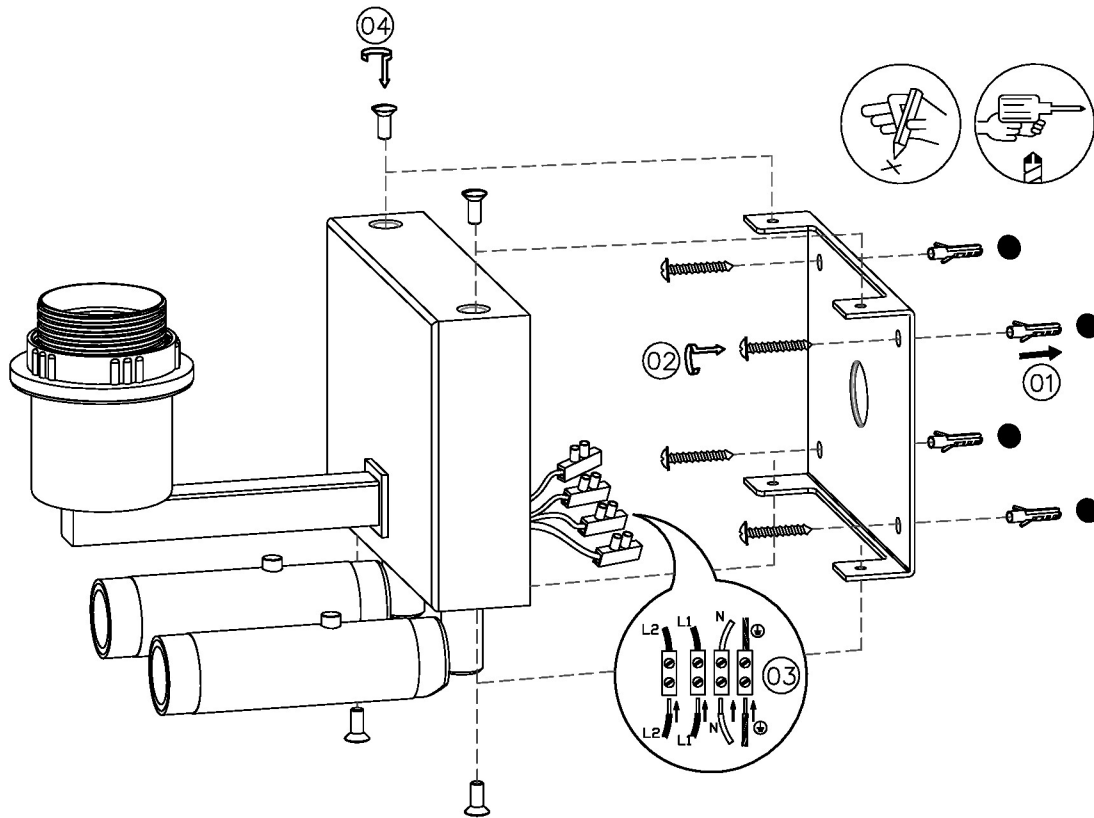
LED/10/W2

Revision A

— CHELSOM —

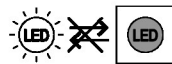
EST. 1947

FOLLOW THE NUMBERED ASSEMBLY SEQUENCE

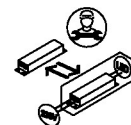


SLR Information

This product contains a light source
of Energy Efficiency Class E
Regulation 2021 No. 1095



Non-replaceable
light source



Control gear
replaceable by
qualified person

www.chelsom.co.uk