



### FEATURES

A WARM WHITE LED HEADBOARD READING LIGHT IS HOUSED WITHIN A CYLINDRICAL HEAD THAT SWIVELS 90° LEFT, RIGHT OR FORWARD AND 'DOCKS' INTO A SEMI RECESSED BACKPLATE, WHICH CAN BE VERTICALLY OR HORIZONTALLY MOUNTED.

### MATERIAL

STEEL AND ALUMINIUM

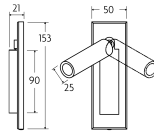
### FINISH

ENGLISH BRASS (EBR)

### CERTIFICATIONS

CE UK CA UL IP20

### DIMENSIONS



## FULL TECHNICAL SPECIFICATION

<b>MATERIAL</b>	STEEL AND ALUMINIUM	<b>DIMMABLE AS STANDARD?</b>	BY REQUEST ONLY
<b>FINISH</b>	ENGLISH BRASS (EBR)	<b>INSULATION RATING</b>	CLASS I
<b>LAMPHOLDER TYPE</b>	INTEGRAL LED	<b>IP RATING</b>	IP20
<b>INTEGRAL LIGHT SOURCE</b>	LED 1W 2700K	<b>WIDTH</b>	50
<b>COLOUR TEMPERATURE</b>	2700K	<b>HEIGHT</b>	153
<b>WATTAGE (W) - INTEGRAL LED</b>	1W	<b>PROJECTION</b>	108MM
<b>CE</b>	YES	<b>BACKPLATE DIMENSIONS</b>	153 X 50MM
<b>UKCA</b>	YES	<b>CUTOUT DIMENSIONS</b>	120 X 32MM
<b>UL</b>	YES	<b>NET PRODUCT WEIGHT</b>	0.35KG
<b>DRIVER LOCATION</b>	INTEGRAL	<b>OVERALL HEIGHT AS SHOWN</b>	153MM
<b>SWITCH TYPE</b>	DOCKING SWITCH	<b>OVERALL WIDTH AS SHOWN</b>	50MM

### FOR MORE INFORMATION ABOUT THIS PRODUCT:

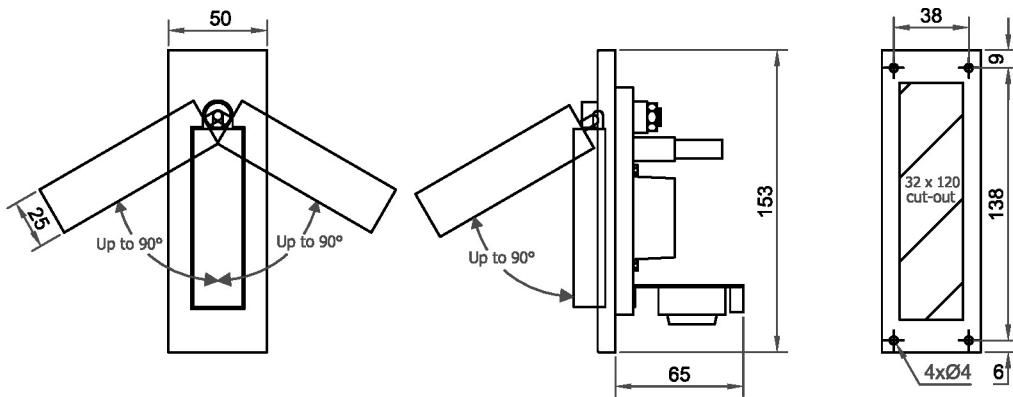
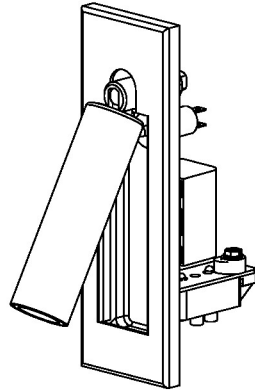
Email: [sales@chelsom.co.uk](mailto:sales@chelsom.co.uk) | Call: +44 (0)1253 831400

Chelsom Limited, Heritage House, Clifton Road, Blackpool, Lancashire FY4 4QA, United Kingdom

[wordpress-700079-2614039.cloudwaysapps.com](http://wordpress-700079-2614039.cloudwaysapps.com)

# — CHELSOM —

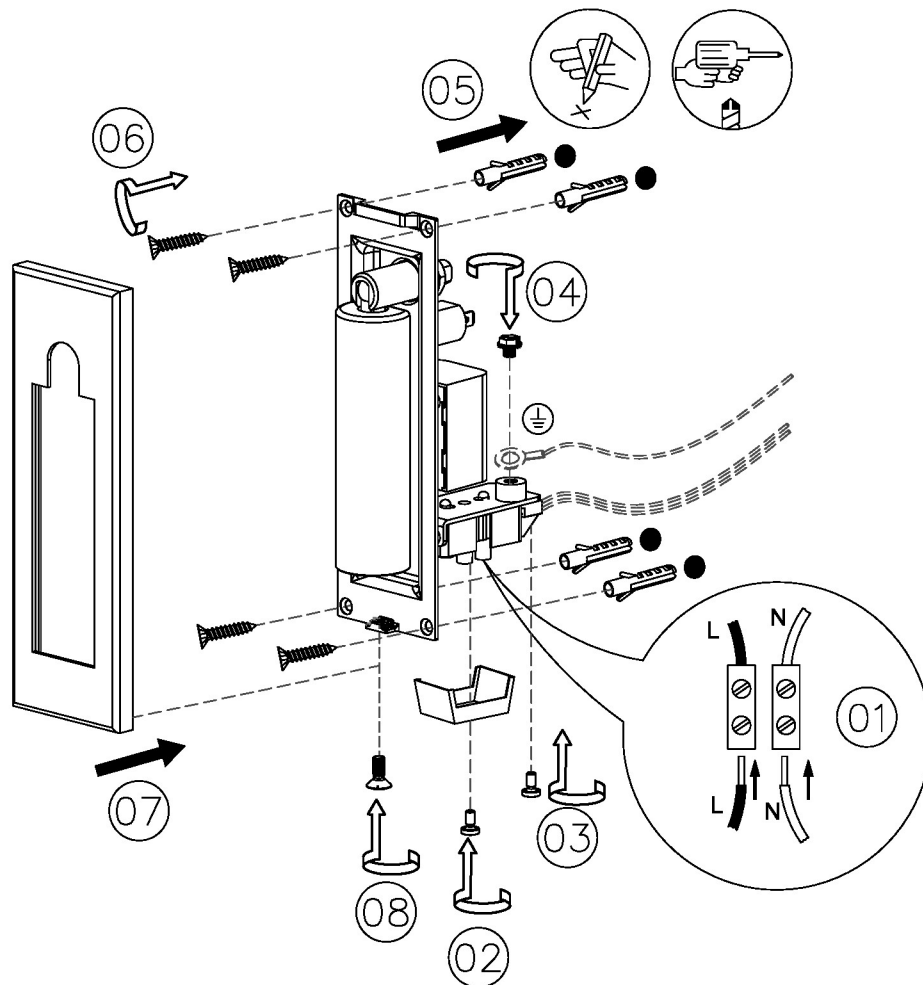
EST. 1947



# — CHELSOM —

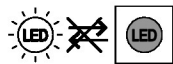
EST. 1947

FOLLOW THE NUMBERED ASSEMBLY SEQUENCE

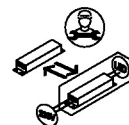


## SLR Information

This product contains a light source  
of Energy Efficiency Class E  
Regulation 2021 No. 1095



Non-replaceable  
light source



Control gear  
replaceable by  
qualified person

[www.chelsom.co.uk](http://www.chelsom.co.uk)