



FEATURES

A WARM WHITE LED HEADBOARD READING LIGHT IS HOUSED WITHIN A RECTANGULAR HEAD THAT SWIVELS 90° LEFT, RIGHT OR FORWARD AND 'DOCKS' INTO A SEMI RECESSED BACKPLATE, WHICH CAN BE VERTICALLY OR HORIZONTALLY MOUNTED.

MATERIAL

STEEL AND ALUMINIUM

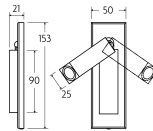
FINISH

ENGLISH BRASS (EBR)

CERTIFICATIONS

CE UK CA UL IP20

DIMENSIONS



FULL TECHNICAL SPECIFICATION

MATERIAL	STEEL AND ALUMINIUM	DIMMABLE AS STANDARD?	BY REQUEST ONLY
FINISH	ENGLISH BRASS (EBR)	INSULATION RATING	CLASS I
LAMPHOLDER TYPE	INTEGRAL LED	IP RATING	IP20
INTEGRAL LIGHT SOURCE	LED 1W 2700K	WIDTH	50
COLOUR TEMPERATURE	2700K	HEIGHT	153
WATTAGE (W) - INTEGRAL LED	1W	PROJECTION	108MM
CE	YES	BACKPLATE DIMENSIONS	153 X 50MM
UKCA	YES	CUTOUT DIMENSIONS	120 X 32MM
UL	YES	NET PRODUCT WEIGHT	0.35KG
DRIVER LOCATION	INTEGRAL	OVERALL HEIGHT AS SHOWN	153MM
SWITCH TYPE	DOCKING SWITCH	OVERALL WIDTH AS SHOWN	50MM

FOR MORE INFORMATION ABOUT THIS PRODUCT:

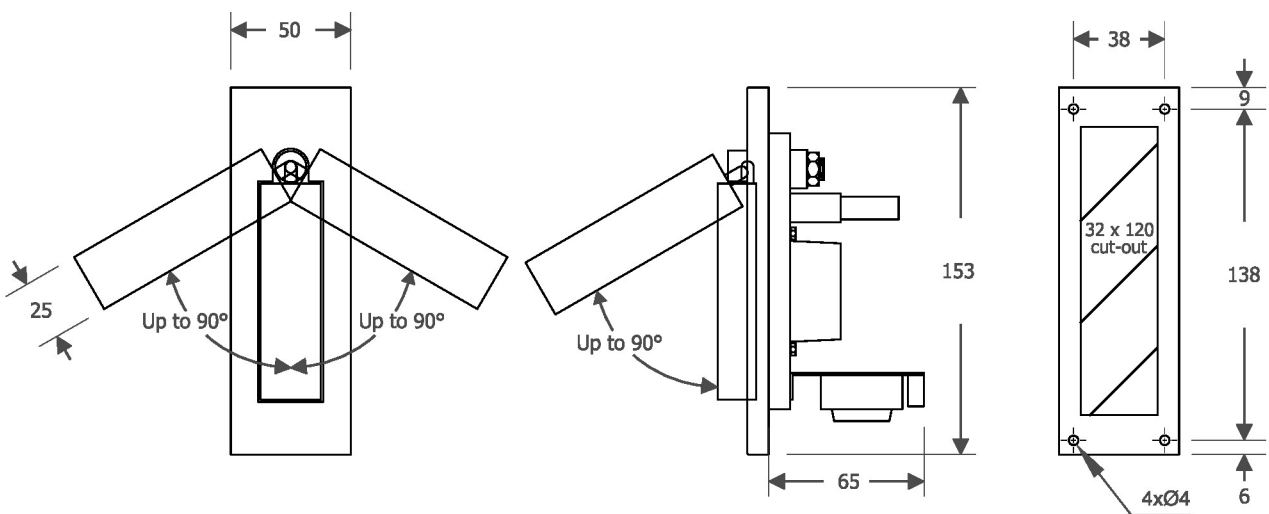
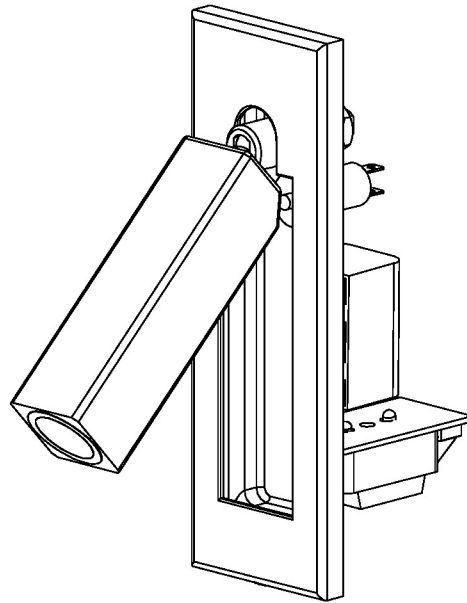
Email: sales@chelsom.co.uk | Call: +44 (0)1253 831400

Chelsom Limited, Heritage House, Clifton Road, Blackpool, Lancashire FY4 4QA, United Kingdom

wordpress-700079-2614039.cloudwaysapps.com

— CHELSOM —

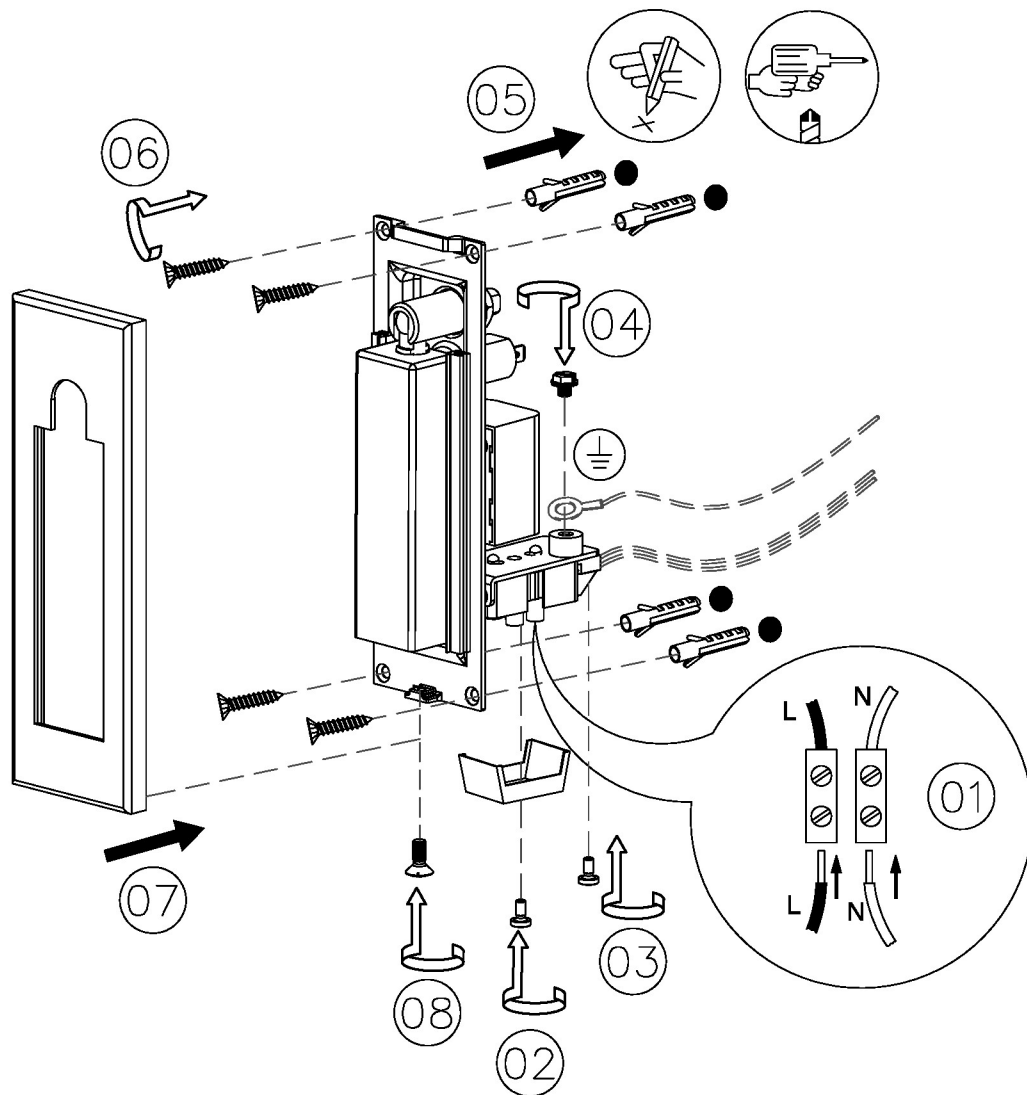
EST. 1947



— CHELSOM —

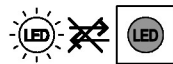
EST. 1947

FOLLOW THE NUMBERED ASSEMBLY SEQUENCE

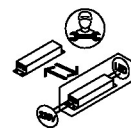


SLR Information

This product contains a light source
of Energy Efficiency Class E
Regulation 2021 No. 1095



Non-replaceable
light source



Control gear
replaceable by
qualified person