



FEATURES

SIMPLE ELEGANT SWEEPING ARM WITH CLEAR CRACKLE GLASS GLOBE IS EQUALLY AT HOME IN A TRADITIONAL OR CONTEMPORARY SETTING. GLASS HAS INTEGRAL THREADED METAL FIXING FOR SECURE ATTACHMENT. CAN BE INSTALLED AS AN UP OR DOWN LIGHT. PRICED WITH AND COMES COMPLETE WITH LAMP AS SHOWN. ALSO AVAILABLE WITH MATT OPAL GLASS, GS/200/OP.

MATERIAL

STEEL AND GLASS

FINISH

BRUSHED BRASS (BRB) WITH CLEAR CRACKLE GLASS (CR)

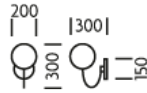
RECOMMENDED LAMP

1 X E27 3W LED 2200K

CERTIFICATIONS

CE UK CA UL ± IP20

DIMENSIONS



FULL TECHNICAL SPECIFICATION

MATERIAL	STEEL AND GLASS	DIMMABLE AS STANDARD?	YES
FINISH	BRUSHED BRASS (BRB) WITH CLEAR CRACKLE GLASS (CR)	DIMMING TYPE	PHASE
LAMPHOLDER TYPE	E27	INSULATION RATING	CLASS I
RECOMMENDED LAMP	1 X E27 3W LED 2200K	IP RATING	IP20
LAMP INCLUDED	YES	PROJECTION	310MM
MAX WATTAGE (RETROFIT)	30W	BACKPLATE DIMENSIONS	150MM DIAMETER
CE	YES	NET PRODUCT WEIGHT	1.9KG
UKCA	YES	OVERALL HEIGHT AS SHOWN	315MM
UL	YES	OVERALL WIDTH AS SHOWN	200MM

FOR MORE INFORMATION ABOUT THIS PRODUCT:

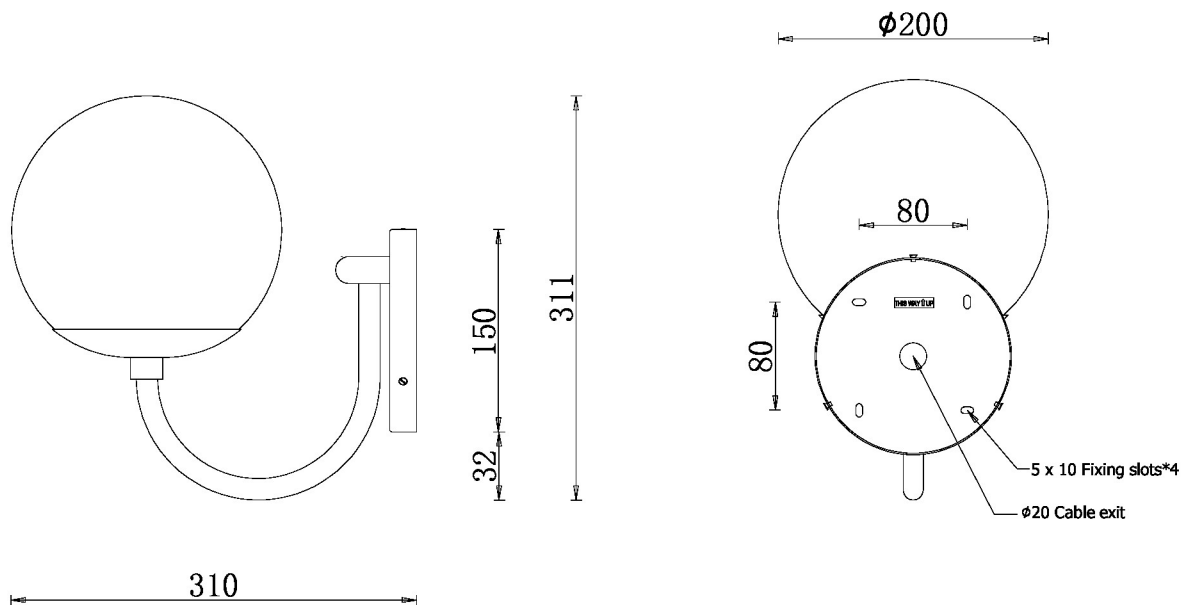
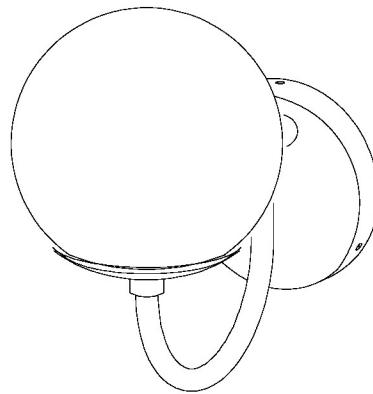
Email: sales@chelson.co.uk | Call: +44 (0)1253 831400

Chelson Limited, Heritage House, Clifton Road, Blackpool, Lancashire FY4 4QA, United Kingdom

wordpress-700079-2614039.cloudwaysapps.com

— CHELSOM —

EST. 1947



— CHELSOM —

EST. 1947

