



FEATURES

HORIZONTAL ARMS EXTEND FROM A CEILING PLATE CURVING DOWNWARDS TO SUSPEND A VARIETY OF DIFFERENT DECORATIVE PENDANT OPTIONS. ANY NUMBER OF ARMS AND DECORATIVE PENDANTS CAN BE SPECIFIED WITH OPTIONS AVAILABLE FROM THE IMAGES BELOW. PLEASE CONTACT OUR TEAMS TO DISCUSS FURTHER. WB/8/00028 IS PRICED WITH AND COMES COMPLETE WITH LAMPS AS SHOWN.

MATERIAL

STEEL WITH GLASS

FINISH

SATIN BLACK WITH BRUSHED BRASS AND SMOKE GLASS.
CUSTOM FINISHES AVAILABLE.

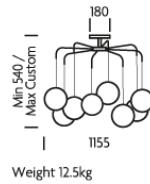
RECOMMENDED LAMP

8 X E14 3W LED 2200K

CERTIFICATIONS



DIMENSIONS



FULL TECHNICAL SPECIFICATION

MATERIAL	STEEL WITH GLASS	DIMMABLE AS STANDARD?	YES
FINISH	SATIN BLACK WITH BRUSHED BRASS AND SMOKE GLASS. CUSTOM FINISHES AVAILABLE.	DIMMING TYPE	PHASE
LAMPHOLDER TYPE	E14	INSULATION RATING	CLASS I
RECOMMENDED LAMP	8 X E14 3W LED 2200K	IP RATING	IP20
MAX WATTAGE (RETROFIT)	30W	MINIMUM DROP	540MM
CE	YES	MAXIMUM DROP	CUSTOM
UKCA	YES	CEILING PLATE DIMENSIONS	180MM DIAMETER
UL	YES	NET PRODUCT WEIGHT	12.5KG
SUSPENSION TYPE	BLACK TWISTED SILK-COVERED CABLE	OVERALL WIDTH AS SHOWN	1155MM

FOR MORE INFORMATION ABOUT THIS PRODUCT:

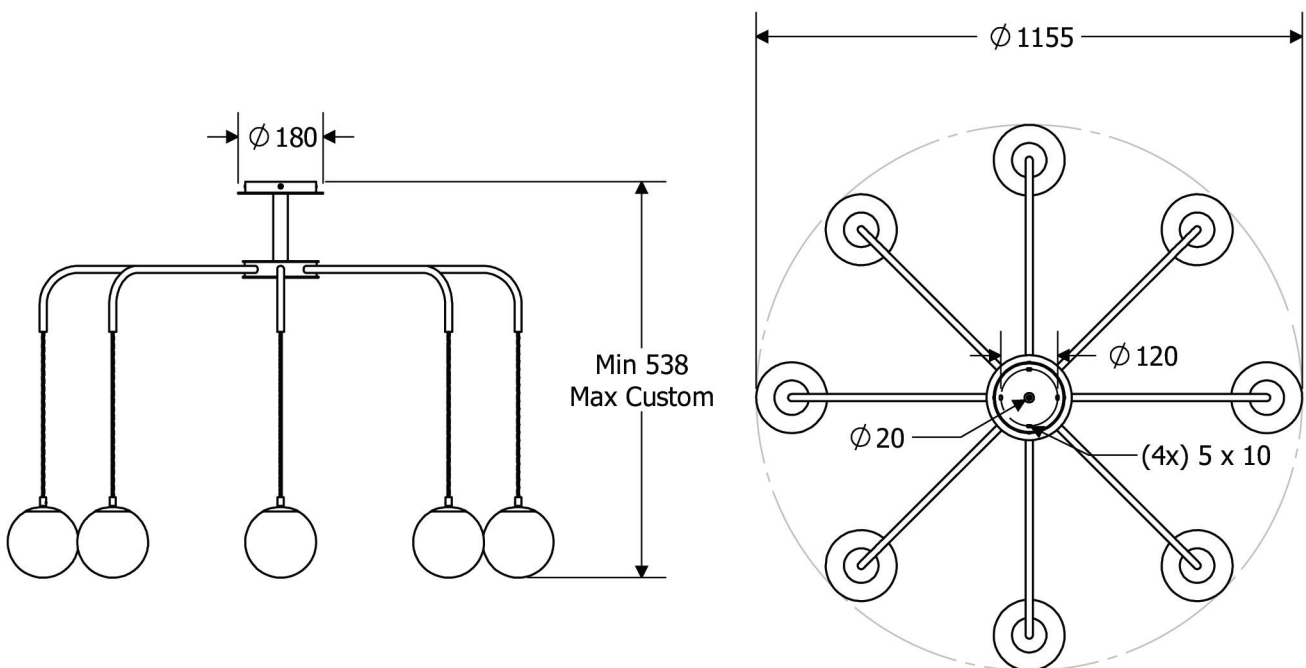
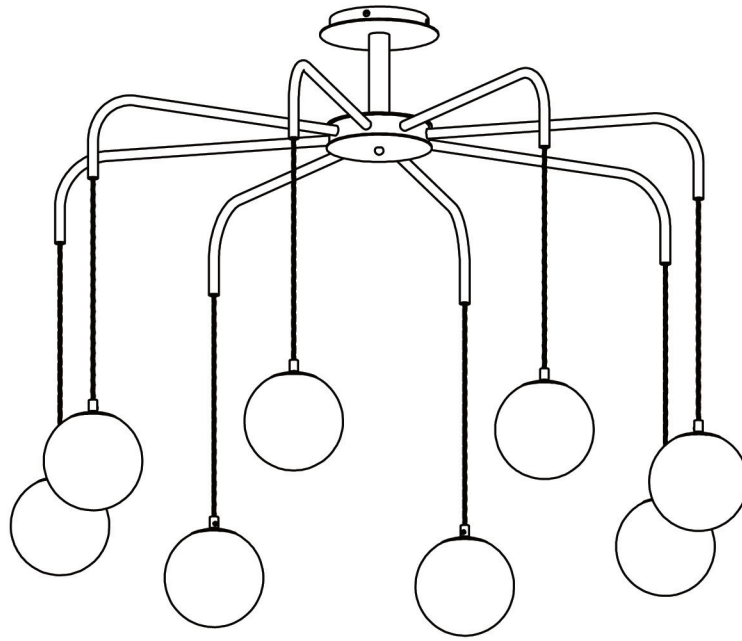
Email: sales@chelsom.co.uk | Call: +44 (0)1253 831400

Chelsom Limited, Heritage House, Clifton Road, Blackpool, Lancashire FY4 4QA, United Kingdom

wordpress-700079-2614039.cloudwaysapps.com

— CHELSOM —

EST. 1947



WB/8/00028

Revision A

www.chelsom.co.uk

— CHELSOM —

EST. 1947

