

ST/200/00028 with optional shade 4 x 150MM GLOBE - OPAL
AND 3 x 250MM GLOBE - OPAL



FEATURES

A SUBSTANTIAL VERTICAL CENTRAL COLUMN SUPPORTS OUTWARD FACING GLOBES IN RANDOM POSITIONS AND SIZES TO CREATE A TALL AND SLENDER ASYMMETRIC CHANDELIER SYSTEM. VARIOUS SHAPES AND SIZES OF CHANDELIER STRUCTURE CAN BE ACHIEVED AS PER A CUSTOMER'S REQUIREMENT. THIS DESIGN WOULD BE IDEAL WITHIN A STAIRWELL OR HIGH ATRIUM WHERE THERE IS PLENTY OF OVERALL CEILING HEIGHT. GLASSES ARE AVAILABLE IN OPAL ONLY AND COME IN THREE DIFFERENT SIZES.

MATERIAL

STEEL WITH GLASS

FINISH

STELLAR BRASS WITH MATT OPAL GLASS. CUSTOM FINISHES AVAILABLE.

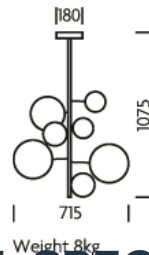
RECOMMENDED LAMP

4 X E14 4.5W LED 2700K AND 3 X E27 7W LED 2700K

CERTIFICATIONS

CE UK CA UL IP20 MADE IN BRITAIN

DIMENSIONS



FULL TECHNICAL SPECIFICATION

MATERIAL	STEEL WITH GLASS	DIMMABLE AS STANDARD?	YES
FINISH	STELLAR BRASS WITH MATT OPAL GLASS. CUSTOM FINISHES AVAILABLE.	DIMMING TYPE	PHASE
LAMPHOLDER TYPE	E14 AND E27	INSULATION RATING	CLASS I
RECOMMENDED LAMP	4 X E14 4.5W LED 2700K AND 3 X E27 7W LED 2700K	IP RATING	IP20
MAX WATTAGE (RETROFIT)	30W	CEILING PLATE DIMENSIONS	180MM DIAMETER
CE	YES	NET PRODUCT WEIGHT	8KG
UKCA	YES	OVERALL HEIGHT AS SHOWN	1075MM
UL	YES	OVERALL WIDTH AS SHOWN	715MM
SUSPENSION TYPE	FIXED ROD		

FOR MORE INFORMATION ABOUT THIS PRODUCT:

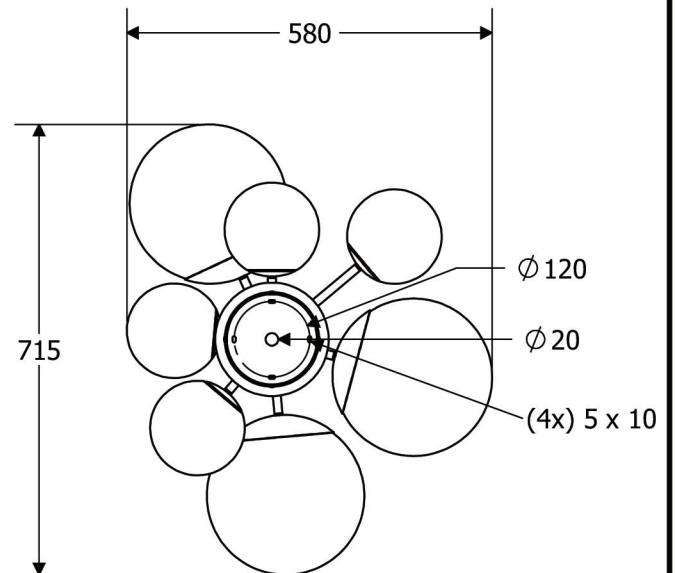
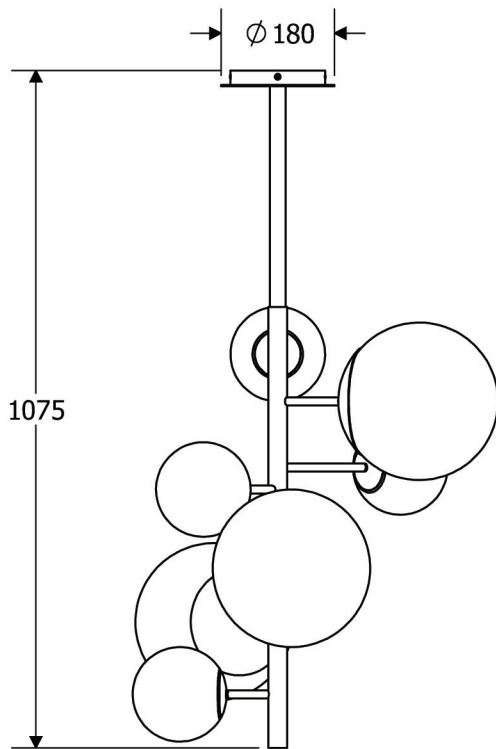
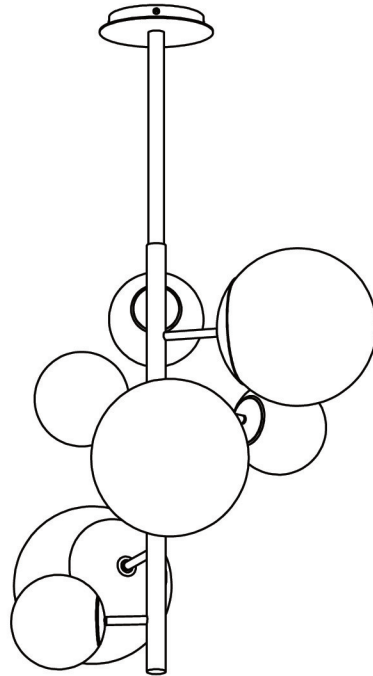
Email: sales@chelson.co.uk | Call: +44 (0)1253 831400

Chelson Limited, Heritage House, Clifton Road, Blackpool, Lancashire FY4 4QA, United Kingdom

wordpress-700079-2614039.cloudwaysapps.com

— CHELSOM —

EST. 1947



— CHELSOM —

EST. 1947

