



FEATURES

A WARM WHITE LED HEADBOARD READING LIGHT IS HOUSED WITHIN A CYLINDRICAL HEAD THAT SWIVELS 90° LEFT, RIGHT OR FORWARD AND 'DOCKS' INTO A SEMI RECESSED BACKPLATE, WHICH CAN BE VERTICALLY OR HORIZONTALLY MOUNTED. FOR THE USA MARKET, THE PRODUCT CAN BE HARDWIRED OR SUPPLIED WITH CABLE AND PLUG.

MATERIAL

STEEL AND ALUMINIUM

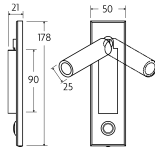
FINISH

GOLDEN BRONZE (GB)

CERTIFICATIONS

CE UK CA UL IP20

DIMENSIONS



FULL TECHNICAL SPECIFICATION

MATERIAL	STEEL AND ALUMINIUM	SWITCH TYPE	PUSH
FINISH	GOLDEN BRONZE (GB)	DIMMABLE AS STANDARD?	BY REQUEST ONLY
LAMPHOLDER TYPE	INTEGRAL LED	INSULATION RATING	CLASS I
INTEGRAL LIGHT SOURCE	LED 1W 2700K	IP RATING	IP20
COLOUR TEMPERATURE	2700K	PROJECTION	108MM
WATTAGE (W) - INTEGRAL LED	1W	BACKPLATE DIMENSIONS	178 X 50MM
CE	YES	CUTOUT DIMENSIONS	150 X 32MM
UKCA	YES	NET PRODUCT WEIGHT	0.35KG
UL	YES	OVERALL HEIGHT AS SHOWN	178MM
DRIVER LOCATION	INTEGRAL	OVERALL WIDTH AS SHOWN	50MM

FOR MORE INFORMATION ABOUT THIS PRODUCT:

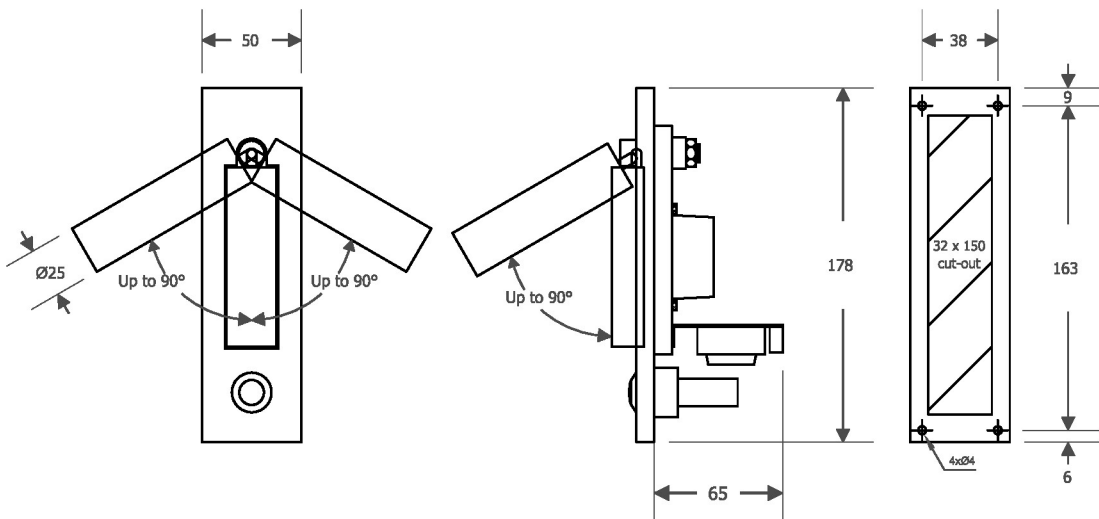
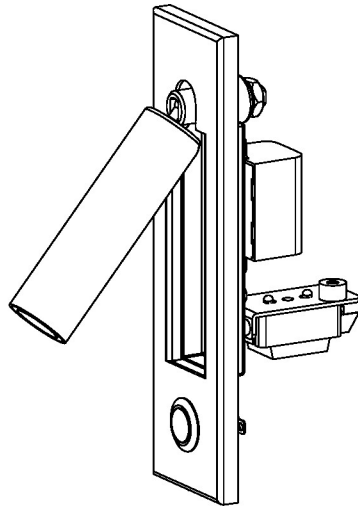
Email: sales@chelsom.co.uk | Call: +44 (0)1253 831400

Chelsom Limited, Heritage House, Clifton Road, Blackpool, Lancashire FY4 4QA, United Kingdom

wordpress-700079-2614039.cloudwaysapps.com

— CHELSOM —

EST. 1947



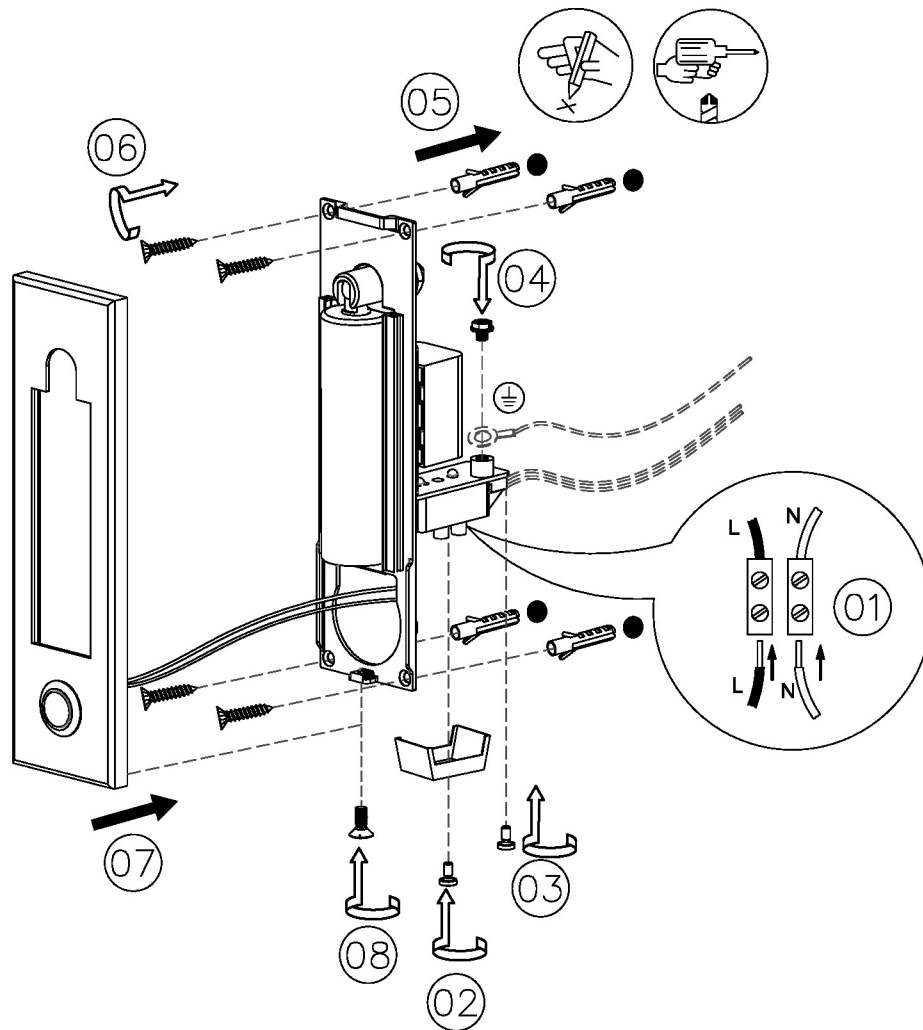
LED/5/2/SW

Revision A

— CHELSOM —

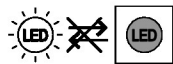
EST. 1947

FOLLOW THE NUMBERED ASSEMBLY SEQUENCE

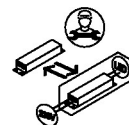


SLR Information

This product contains a light source
of Energy Efficiency Class E
Regulation 2021 No. 1095



Non-replaceable
light source



Control gear
replaceable by
qualified person

www.chelsom.co.uk