



### FEATURES

HIGH QUALITY MOUTH BLOWN GLASS DECORATIVE AMBIENT PENDANT WITH SUSPENSION AND CEILING PLATE.

### MATERIAL

MOUTH BLOWN GLASS WITH STEEL

### FINISH

MATT OPAL (OP) WITH BRUSHED BRASS METALWORK

### RECOMMENDED LAMP

1 X E14 4.5W LED 2700K

### CERTIFICATIONS

CE UK CA UL ± IP20

### DIMENSIONS



Weight 0.8kg

## FULL TECHNICAL SPECIFICATION

<b>MATERIAL</b>	MOUTH BLOWN GLASS WITH STEEL	<b>DIMMABLE AS STANDARD?</b>	YES
<b>FINISH</b>	MATT OPAL (OP) WITH BRUSHED BRASS METALWORK	<b>DIMMING TYPE</b>	PHASE
<b>LAMPHOLDER TYPE</b>	E14	<b>INSULATION RATING</b>	CLASS I
<b>RECOMMENDED LAMP</b>	1 X E14 4.5W LED 2700K	<b>IP RATING</b>	IP20
<b>MAX WATTAGE (RETROFIT)</b>	30W	<b>MINIMUM DROP</b>	260MM
<b>CE</b>	YES	<b>MAXIMUM DROP</b>	CUSTOM
<b>UKCA</b>	YES	<b>CEILING PLATE DIMENSIONS</b>	110MM DIAMETER
<b>UL</b>	YES	<b>NET PRODUCT WEIGHT</b>	0.8KG
<b>SUSPENSION TYPE</b>	BLACK SILK-COVERED CABLE	<b>OVERALL WIDTH AS SHOWN</b>	150MM

### FOR MORE INFORMATION ABOUT THIS PRODUCT:

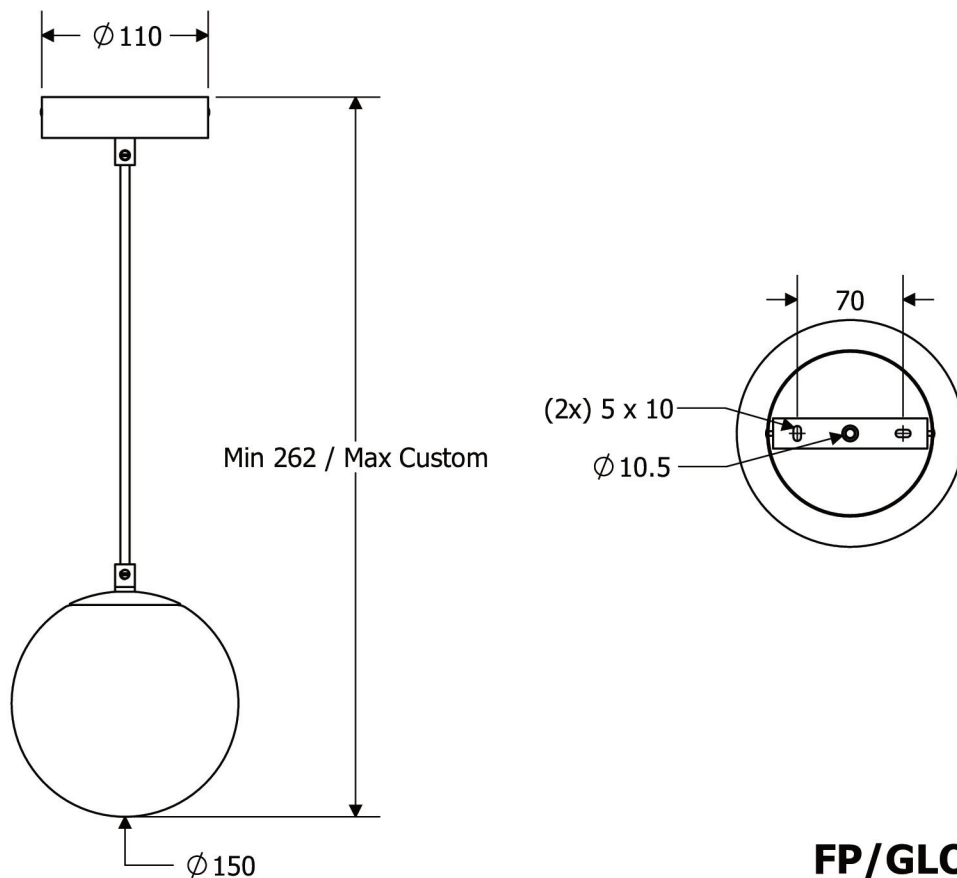
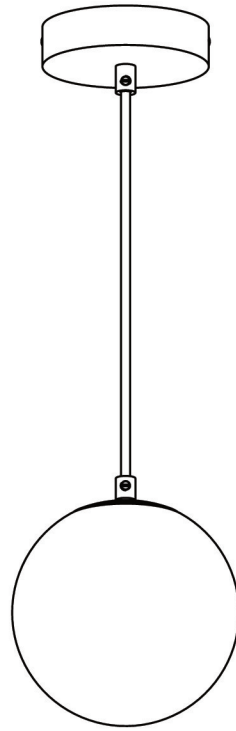
Email: [sales@chelsom.co.uk](mailto:sales@chelsom.co.uk) | Call: +44 (0)1253 831400

Chelsom Limited, Heritage House, Clifton Road, Blackpool, Lancashire FY4 4QA, United Kingdom

[wordpress-700079-2614039.cloudwaysapps.com](http://wordpress-700079-2614039.cloudwaysapps.com)

# — CHELSOM —

EST. 1947



[www.chelsom.co.uk](http://www.chelsom.co.uk)

**FP/GLOBE/150**

Revision A

# — CHELSOM —

EST. 1947

