



### FEATURES

CABLES SUSPEND FROM CEILING PLATE AND PASS THROUGH FLOATING SQUARE SECTION CIRCLE FROM WHICH DECORATIVE PENDANTS HANG. THE CENTRAL BODY CAN BE MANUFACTURED IN A VARIETY OF SHAPES AND SIZES TO SUIT ANY SPACE. ANY NUMBER OF DECORATIVE PENDANTS MAY BE SPECIFIED FROM THE IMAGES SHOWN BELOW. AM/7/00028 IS PRICED WITH AND COMES COMPLETE WITH LAMPS AS SHOWN.

### MATERIAL

STEEL WITH GLASS

### FINISH

SATIN BLACK WITH BRUSHED BRASS AND MATT ALABASTER GLASS. CUSTOM FINISHES AVAILABLE.

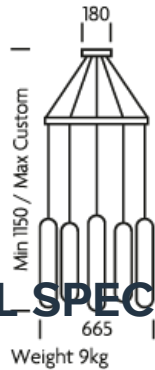
### RECOMMENDED LAMP

5 X GU10 6W LED 2700K

### CERTIFICATIONS



### DIMENSIONS



## FULL TECHNICAL SPECIFICATION

<b>MATERIAL</b>	STEEL WITH GLASS	<b>DIMMABLE AS STANDARD?</b>	YES
<b>FINISH</b>	SATIN BLACK WITH BRUSHED BRASS AND MATT ALABASTER GLASS. CUSTOM FINISHES AVAILABLE.	<b>DIMMING TYPE</b>	PHASE
<b>LAMPHOLDER TYPE</b>	GU10	<b>INSULATION RATING</b>	CLASS I
<b>RECOMMENDED LAMP</b>	5 X GU10 6W LED 2700K	<b>IP RATING</b>	IP20
<b>MAX WATTAGE (RETROFIT)</b>	10W	<b>MINIMUM DROP</b>	1150MM
<b>CE</b>	YES	<b>MAXIMUM DROP</b>	CUSTOM
<b>UKCA</b>	YES	<b>CEILING PLATE DIMENSIONS</b>	180MM DIAMETER
<b>UL</b>	YES	<b>NET PRODUCT WEIGHT</b>	9KG
<b>SUSPENSION TYPE</b>	BLACK TWISTED SILK-COVERED CABLE	<b>OVERALL WIDTH AS SHOWN</b>	665MM

### FOR MORE INFORMATION ABOUT THIS PRODUCT:

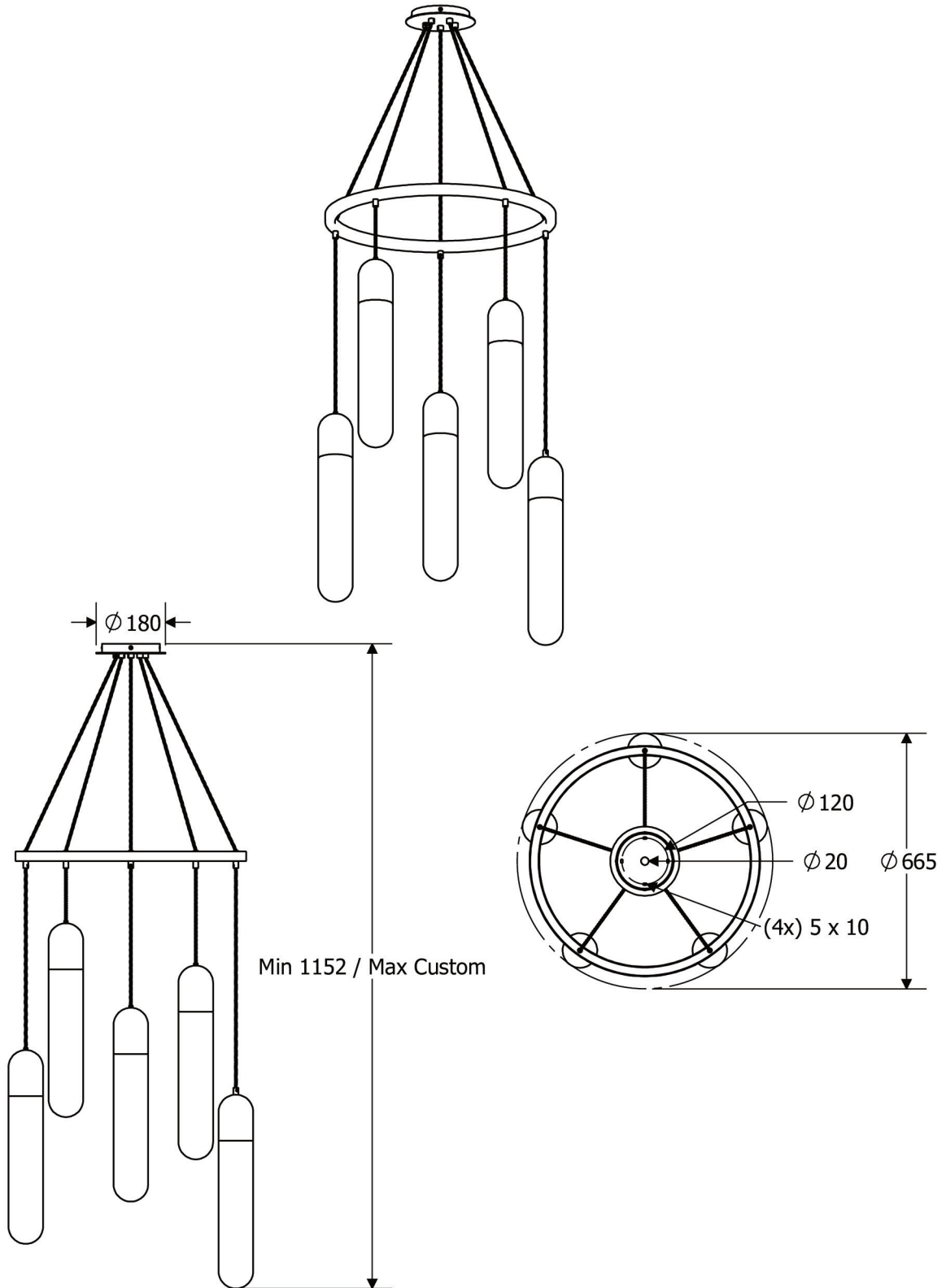
Email: [sales@chelson.co.uk](mailto:sales@chelson.co.uk) | Call: +44 (0)1253 831400

Chelson Limited, Heritage House, Clifton Road, Blackpool, Lancashire FY4 4QA, United Kingdom

[wordpress-700079-2614039.cloudwaysapps.com](http://wordpress-700079-2614039.cloudwaysapps.com)

# — CHELSOM —

EST. 1947



# — CHELSOM —

EST. 1947

