



FEATURES

SIMPLE ELEGANT SWEEPING ARMS WITH MATT OPAL GLASS GLOBES ARE EQUALLY AT HOME IN A TRADITIONAL OR CONTEMPORARY SETTING. GLASSES HAVE INTEGRAL THREADED METAL FIXINGS FOR SECURE ATTACHMENT. ALSO AVAILABLE WITH CLEAR CRACKLE GLASS, GS/200/CR.

MATERIAL

STEEL AND GLASS

FINISH

BRUSHED BRASS (BRB) WITH MATT OPAL GLASS (OP)

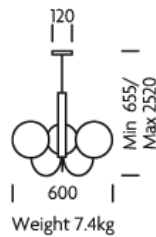
RECOMMENDED LAMP

3 X E27 7W LED 2700K

CERTIFICATIONS

CE UK CA UL ± IP20

DIMENSIONS



FULL TECHNICAL SPECIFICATION

MATERIAL	STEEL AND GLASS	DIMMABLE AS STANDARD?	YES
FINISH	BRUSHED BRASS (BRB) WITH MATT OPAL GLASS (OP)	DIMMING TYPE	PHASE
LAMPHOLDER TYPE	E27	INSULATION RATING	CLASS I
RECOMMENDED LAMP	3 X E27 7W LED 2700K	IP RATING	IP20
MAX WATTAGE (RETROFIT)	30W	MINIMUM DROP	660MM
CE	YES	MAXIMUM DROP	2540MM
UKCA	YES	CEILING PLATE DIMENSIONS	120MM DIAMETER
UL	YES	NET PRODUCT WEIGHT	7.4KG
SUSPENSION TYPE	CHAIN	OVERALL WIDTH AS SHOWN	610MM

FOR MORE INFORMATION ABOUT THIS PRODUCT:

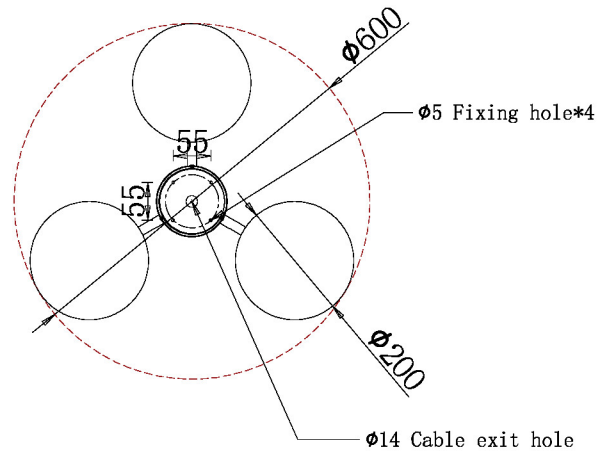
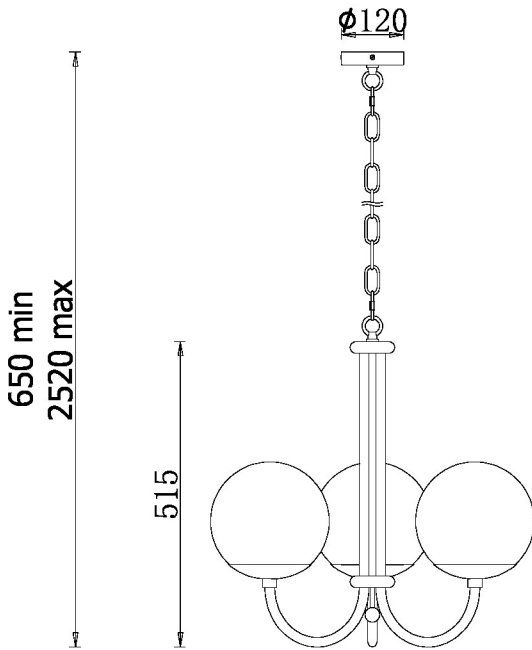
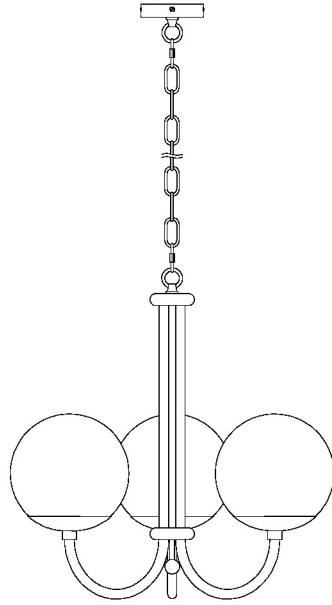
Email: sales@chelsom.co.uk | Call: +44 (0)1253 831400

Chelsom Limited, Heritage House, Clifton Road, Blackpool, Lancashire FY4 4QA, United Kingdom

wordpress-700079-2614039.cloudwaysapps.com

— CHELSOM —

EST. 1947



— CHELSOM —

EST. 1947

