



FEATURES

THIS TIMELESS DESIGN PROVIDES A FOCAL POINT FOR TRADITIONAL OR CONTEMPORARY INTERIORS. WITH SIMPLE STRAIGHT LINES, THE FITTING IS ENHANCED BY SCALLOPED SHADES WITH CONTRASTING TOP AND BOTTOM BLACK TRIM. MATCHING CHANDELIER AND OTHER SHADE FABRICS ARE AVAILABLE.

MATERIAL

STEEL

FINISH

SATIN BLACK (BL)

RECOMMENDED LAMP

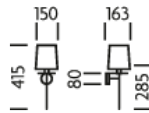
1 X E14 4W LED 2700K

CERTIFICATIONS

CE UK CA UL IP20

studio^c

DIMENSIONS



FULL TECHNICAL SPECIFICATION

MATERIAL	STEEL	INSULATION RATING	CLASS I
FINISH	SATIN BLACK (BL)	IP RATING	IP20
LAMPHOLDER TYPE	E14	PROJECTION	163MM
RECOMMENDED LAMP	1 X E14 4W LED 2700K	BACKPLATE DIMENSIONS	80MM DIAMETER
MAX WATTAGE (RETROFIT)	30W	NET PRODUCT WEIGHT	1KG
CE	YES	OVERALL HEIGHT WITH SHADE AS SHOWN	415MM
UKCA	YES	OVERALL HEIGHT WITHOUT SHADE	285MM
UL	YES	OVERALL WIDTH WITH SHADE AS SHOWN	150MM
DIMMABLE AS STANDARD?	YES	OVERALL WIDTH WITHOUT SHADE	100MM
DIMMING TYPE	PHASE		

FOR MORE INFORMATION ABOUT THIS PRODUCT:

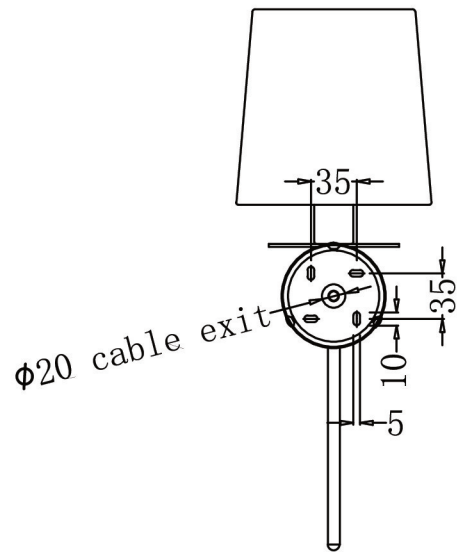
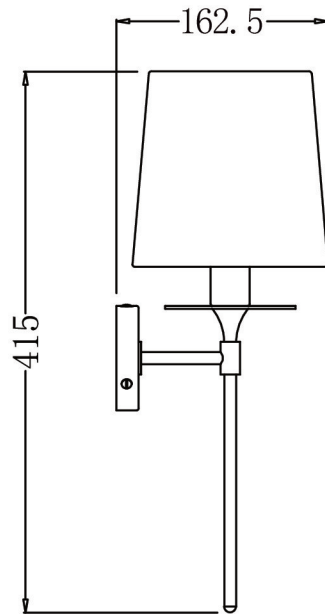
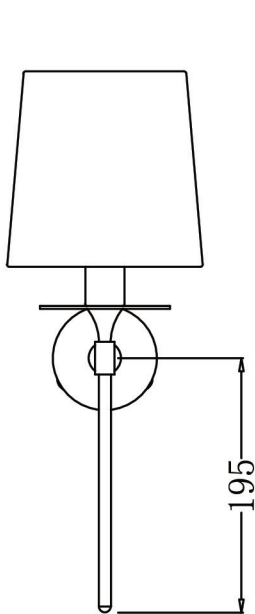
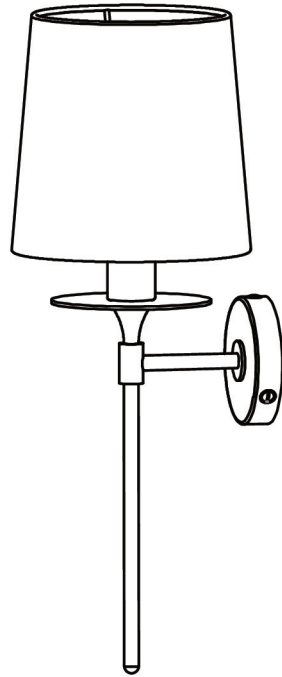
Email: sales@chelson.co.uk | Call: +44 (0)1253 831400

Chelson Limited, Heritage House, Clifton Road, Blackpool, Lancashire FY4 4QA, United Kingdom

wordpress-700079-2614039.cloudwaysapps.com

— CHELSOM —

EST. 1947



— CHELSOM —

EST. 1947

FOLLOW THE NUMBERED ASSEMBLY SEQUENCE

