



FEATURES

A DECORATIVE AMBIENT PENDANT FEATURING DEEPLY RIBBED MATT OPAL RETRO SHAPED GLASS. KNURLED LAMPHOLDER COVER IS SUSPENDED FROM BLACK SILK-COVERED CABLE.

MATERIAL

GLASS AND STEEL

FINISH

MATT OPAL (OPAL) GLASS WITH BRUSHED BRASS

RECOMMENDED LAMP

1 X E27 7W LED 2700K

CERTIFICATIONS

CE UK CA UL ± IP20

DIMENSIONS



Weight 1.6kg

FULL TECHNICAL SPECIFICATION

MATERIAL	GLASS AND STEEL	DIMMABLE AS STANDARD?	YES
FINISH	MATT OPAL (OPAL) GLASS WITH BRUSHED BRASS	DIMMING TYPE	PHASE
LAMPHOLDER TYPE	E27	INSULATION RATING	CLASS I
RECOMMENDED LAMP	1 X E27 7W LED 2700K	IP RATING	IP20
MAX WATTAGE (RETROFIT)	30W	MINIMUM DROP	300MM
CE	YES	MAXIMUM DROP	2185MM
UKCA	YES	CEILING PLATE DIMENSIONS	100MM DIAMETER
UL	YES	NET PRODUCT WEIGHT	1.6KG
SUSPENSION TYPE	BLACK SILK-COVERED CABLE	OVERALL WIDTH AS SHOWN	300MM

FOR MORE INFORMATION ABOUT THIS PRODUCT:

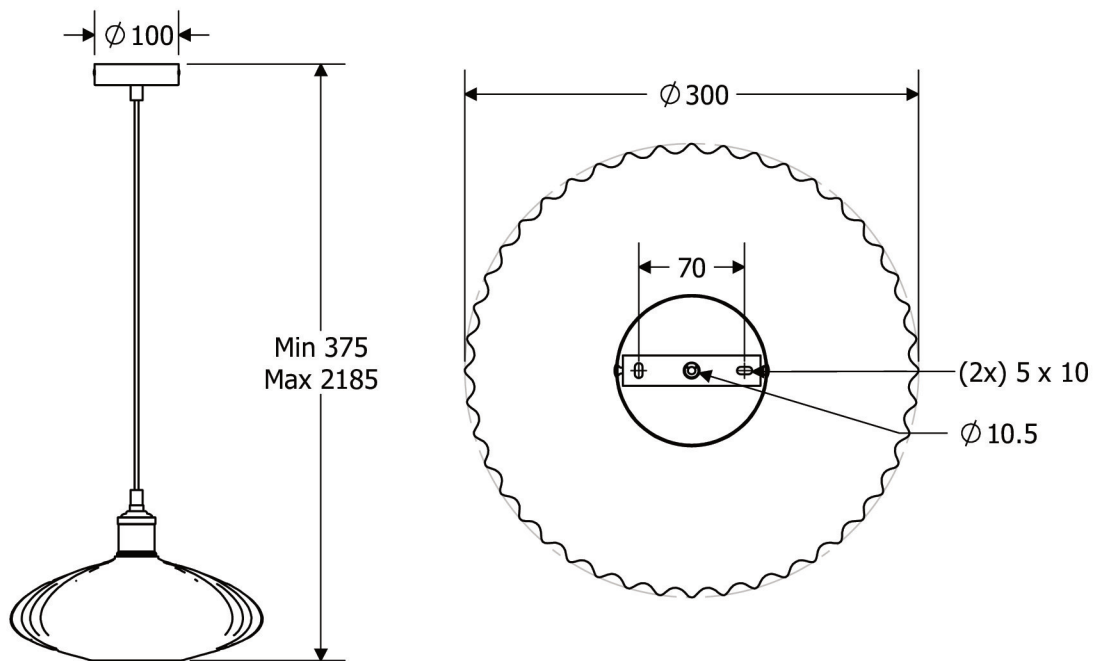
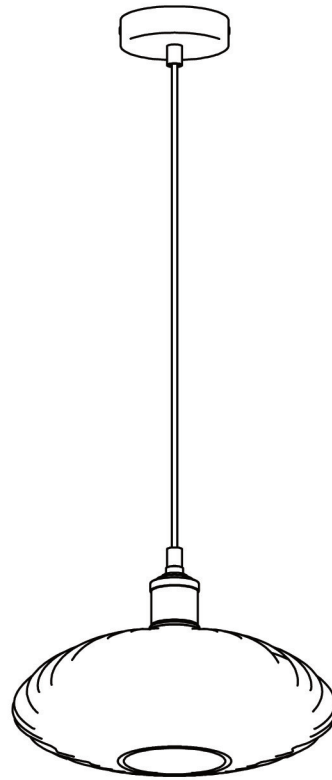
Email: sales@chelsom.co.uk | Call: +44 (0)1253 831400

Chelsom Limited, Heritage House, Clifton Road, Blackpool, Lancashire FY4 4QA, United Kingdom

wordpress-700079-2614039.cloudwaysapps.com

— CHELSOM —

EST. 1947



www.chelsom.co.uk

FP/742

Revision A

— CHELSOM —

EST. 1947

