



FEATURES

A CHANDELIER WHICH IS TRANSITIONAL IN DESIGN FEATURING REEDED COLUMNS AND KNURLED LAMPHOLDER COVERS.

MATERIAL

STEEL

FINISH

GOLDEN BRONZE WITH SATIN BLACK

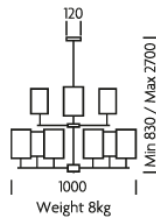
RECOMMENDED LAMP

9 X E27 7W LED 2700K

CERTIFICATIONS

CE UK CA UL IP20

DIMENSIONS



FULL TECHNICAL SPECIFICATION

MATERIAL	STEEL	DIMMABLE AS STANDARD?	YES
FINISH	GOLDEN BRONZE WITH SATIN BLACK	DIMMING TYPE	PHASE
LAMPHOLDER TYPE	E27	INSULATION RATING	CLASS I
RECOMMENDED LAMP	9 X E27 7W LED 2700K	IP RATING	IP20
MAX WATTAGE (RETROFIT)	30W	MINIMUM DROP	830MM
CE	YES	MAXIMUM DROP	2700MM
UKCA	YES	CEILING PLATE DIMENSIONS	120MM DIAMETER
UL	YES	NET PRODUCT WEIGHT	8KG
SUSPENSION TYPE	CHAIN	OVERALL WIDTH WITH SHADE AS SHOWN	1000MM

FOR MORE INFORMATION ABOUT THIS PRODUCT:

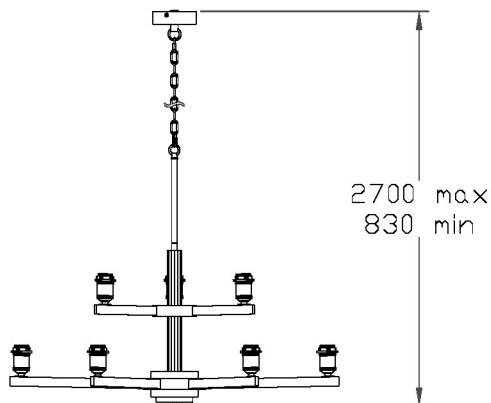
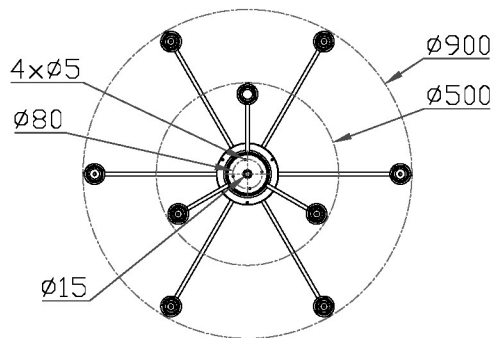
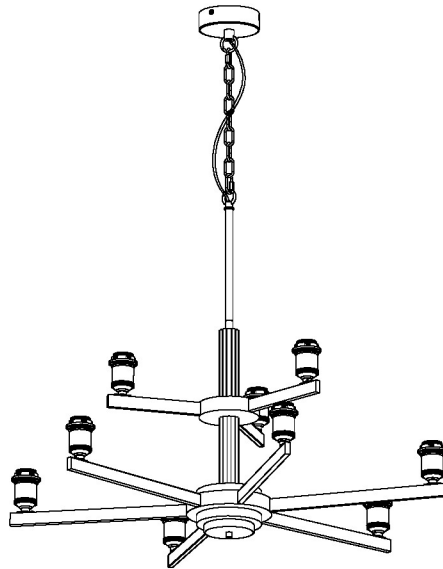
Email: sales@chelsom.co.uk | Call: +44 (0)1253 831400

Chelsom Limited, Heritage House, Clifton Road, Blackpool, Lancashire FY4 4QA, United Kingdom

wordpress-700079-2614039.cloudwaysapps.com

— CHELSOM —

EST. 1947



— CHELSOM —

EST. 1947

FOLLOW THE NUMBERED ASSEMBLY SEQUENCE

