



## FEATURES

CLASSIC ART DECO STYLING FEATURING FROSTED ACRYLIC GEOMETRIC SIDE PANNELLING EMITTING LIGHT FORWARDS AND BACK ON TO THE WALL.

## MATERIAL

STEEL AND ACRYLIC

## FINISH

BRUSHED BRASS (BRB) WITH FROSTED ACRYLIC

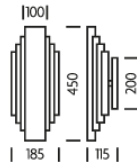
## RECOMMENDED LAMP

2 X E14 4W LED 2700K

## CERTIFICATIONS

CE UK CA UL ± IP20

## DIMENSIONS



## FULL TECHNICAL SPECIFICATION

<b>MATERIAL</b>	STEEL AND ACRYLIC	<b>DIMMING TYPE</b>	PHASE
<b>FINISH</b>	BRUSHED BRASS (BRB) WITH FROSTED ACRYLIC	<b>INSULATION RATING</b>	CLASS I
<b>LAMPHOLDER TYPE</b>	E14	<b>IP RATING</b>	IP20
<b>RECOMMENDED LAMP</b>	2 X E14 4W LED 2700K	<b>PROJECTION</b>	115MM
<b>MAX WATTAGE (RETROFIT)</b>	30W	<b>BACKPLATE DIMENSIONS</b>	200 X 100MM
<b>CE</b>	YES	<b>NET PRODUCT WEIGHT</b>	3.2KG
<b>UKCA</b>	YES	<b>OVERALL HEIGHT AS SHOWN</b>	450MM
<b>UL</b>	YES	<b>OVERALL WIDTH AS SHOWN</b>	185MM
<b>DIMMABLE AS STANDARD?</b>	YES		

### FOR MORE INFORMATION ABOUT THIS PRODUCT:

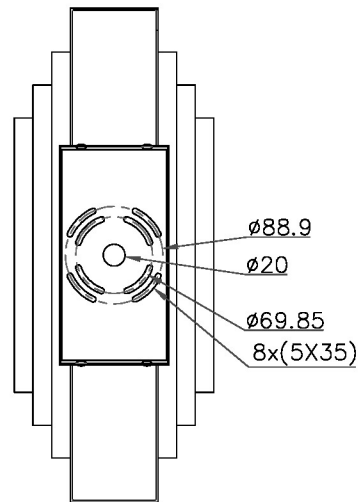
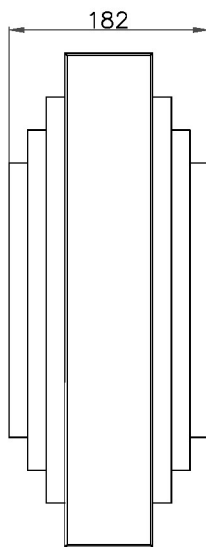
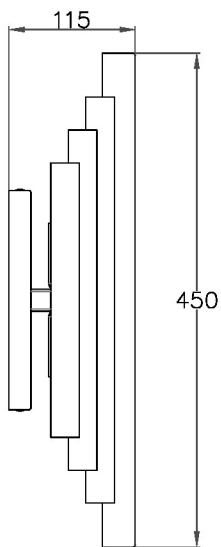
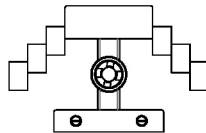
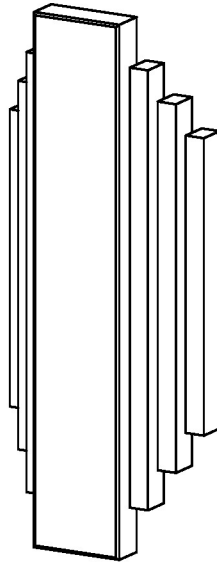
Email: [sales@chelsom.co.uk](mailto:sales@chelsom.co.uk) | Call: +44 (0)1253 831400

Chelsom Limited, Heritage House, Clifton Road, Blackpool, Lancashire FY4 4QA, United Kingdom

[wordpress-700079-2614039.cloudwaysapps.com](http://wordpress-700079-2614039.cloudwaysapps.com)

# — CHELSOM —

EST. 1947



# — CHELSOM —

EST. 1947

FOLLOW THE NUMBERED ASSEMBLY SEQUENCE

