



FEATURES

BRUSHED BRASS OUTER FRAME HOLDS FAUX ALABASTER DIFFUSING PANELS ON BOTH SIDES AND SLOTS INTO HEAVY CYLINDRICAL SECTION. WALL LIGHT CAN BE MOUNTED WITH DIFFERENT ORIENTATIONS.

MATERIAL

STEEL AND ACRYLIC

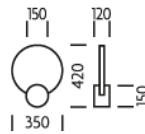
FINISH

BRUSHED BRASS WITH FAUX ALABASTER

CERTIFICATIONS

CE UK CA IP20

DIMENSIONS



FULL TECHNICAL SPECIFICATION

MATERIAL	STEEL AND ACRYLIC	DIMMABLE AS STANDARD?	YES
FINISH	BRUSHED BRASS WITH FAUX ALABASTER	DIMMING TYPE	PHASE
LAMPHOLDER TYPE	INTEGRAL LED	INSULATION RATING	CLASS I
INTEGRAL LIGHT SOURCE	LED 8W 2700K	IP RATING	IP20
COLOUR TEMPERATURE	2700K	PROJECTION	120MM
WATTAGE (W) - INTEGRAL LED	8W	BACKPLATE DIMENSIONS	150MM DIAMETER
CE	YES	NET PRODUCT WEIGHT	3.1KG
UKCA	YES	OVERALL HEIGHT AS SHOWN	420MM
UL	FOR UL PLEASE ENQUIRE.	OVERALL WIDTH AS SHOWN	350MM
DRIVER LOCATION	INTEGRAL		

FOR MORE INFORMATION ABOUT THIS PRODUCT:

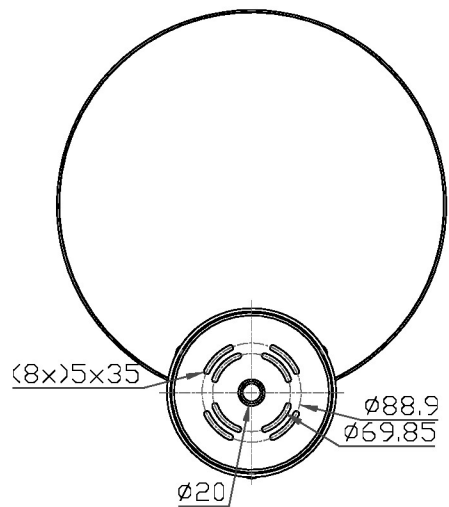
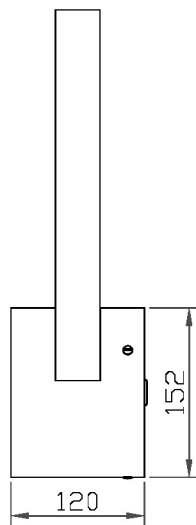
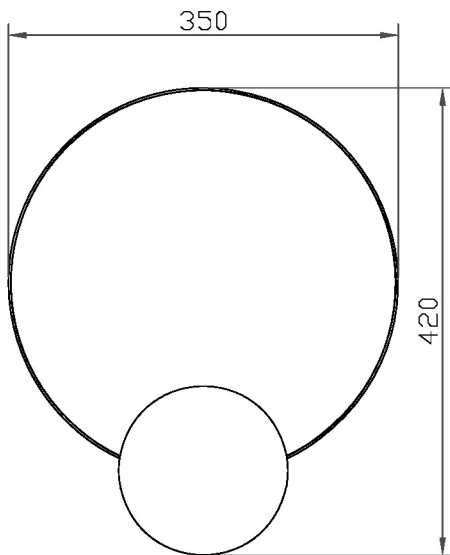
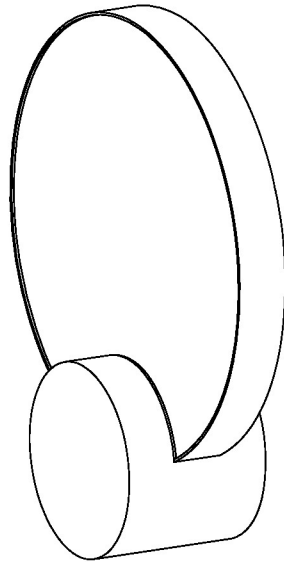
Email: sales@chelsom.co.uk | Call: +44 (0)1253 831400

Chelsom Limited, Heritage House, Clifton Road, Blackpool, Lancashire FY4 4QA, United Kingdom

wordpress-700079-2614039.cloudwaysapps.com

— CHELSOM —

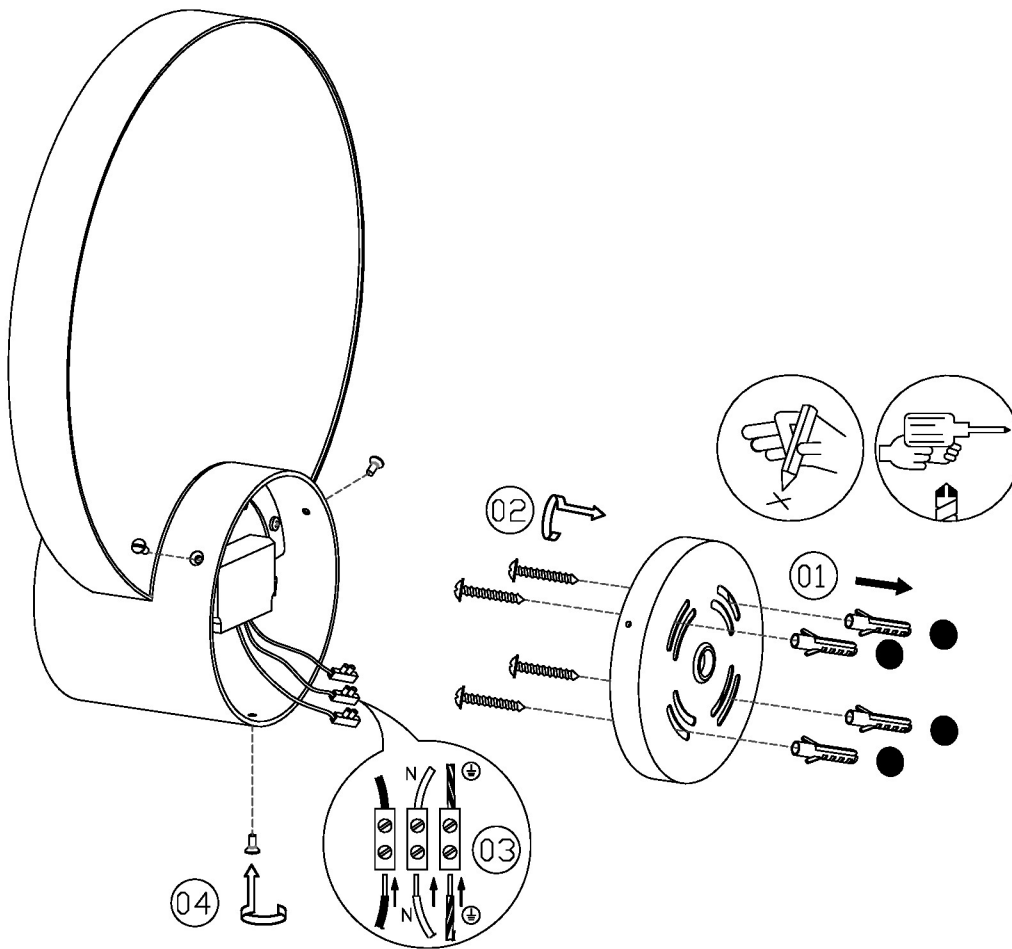
EST. 1947



— CHELSOM —

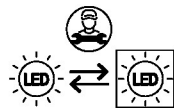
EST. 1947

FOLLOW THE NUMBERED ASSEMBLY SEQUENCE

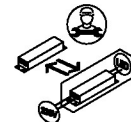


SLR Information

This product contains a light source
of Energy Efficiency Class E
Regulation 2021 No. 1095



LED light source
replaceable by
qualified person



Control gear
replaceable by
qualified person

www.chelsom.co.uk