



FEATURES

A DISCREET RECESSED HEADBOARD READING LIGHT, NEARLY ENTIRELY FLUSH, WITH OPENING LIP FEATURE WHICH ENABLES ROTATION AND AUTOMATIC LIGHT OPERATION. PROVIDES A FULL RANGE OF WARM DIRECTIONAL READING LIGHT.

MATERIAL

STEEL AND ALUMINIUM

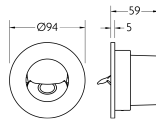
FINISH

BRUSHED NICKEL (BN)

CERTIFICATIONS

CE UK CA UL IP20

DIMENSIONS



FULL TECHNICAL SPECIFICATION

MATERIAL	STEEL AND ALUMINIUM	SWITCH TYPE	DOCKING SWITCH
FINISH	BRUSHED NICKEL (BN)	DIMMABLE AS STANDARD?	BY REQUEST ONLY
LAMPHOLDER TYPE	INTEGRAL LED	INSULATION RATING	CLASS II
INTEGRAL LIGHT SOURCE	LED 1W 2700K	IP RATING	IP20
COLOUR TEMPERATURE	2700K	PROJECTION	17MM
WATTAGE (W) - INTEGRAL LED	1W	BACKPLATE DIMENSIONS	94MM DIAMETER
CE	YES	CUTOUT DIMENSIONS	75MM DIAMETER
UKCA	YES	NET PRODUCT WEIGHT	0.35KG
UL	YES	OVERALL HEIGHT AS SHOWN	94MM
DRIVER LOCATION	REMOTE	OVERALL WIDTH AS SHOWN	94MM

FOR MORE INFORMATION ABOUT THIS PRODUCT:

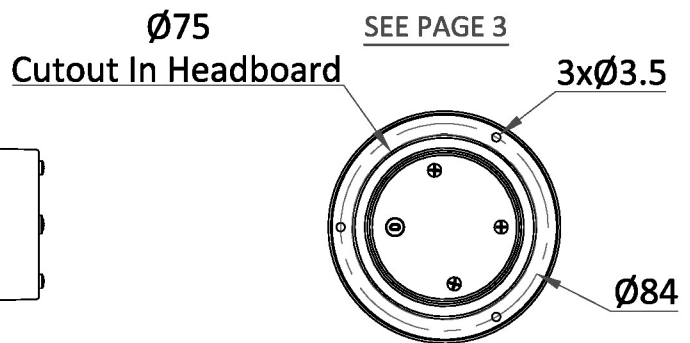
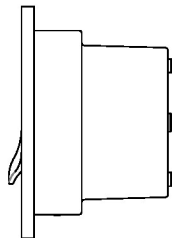
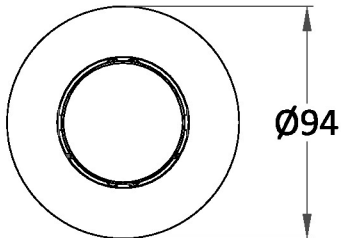
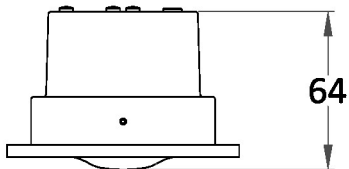
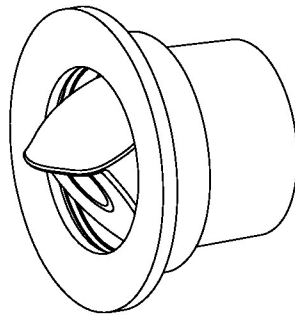
Email: sales@chelsom.co.uk | Call: +44 (0)1253 831400

Chelsom Limited, Heritage House, Clifton Road, Blackpool, Lancashire FY4 4QA, United Kingdom

wordpress-700079-2614039.cloudwaysapps.com

— CHELSOM —

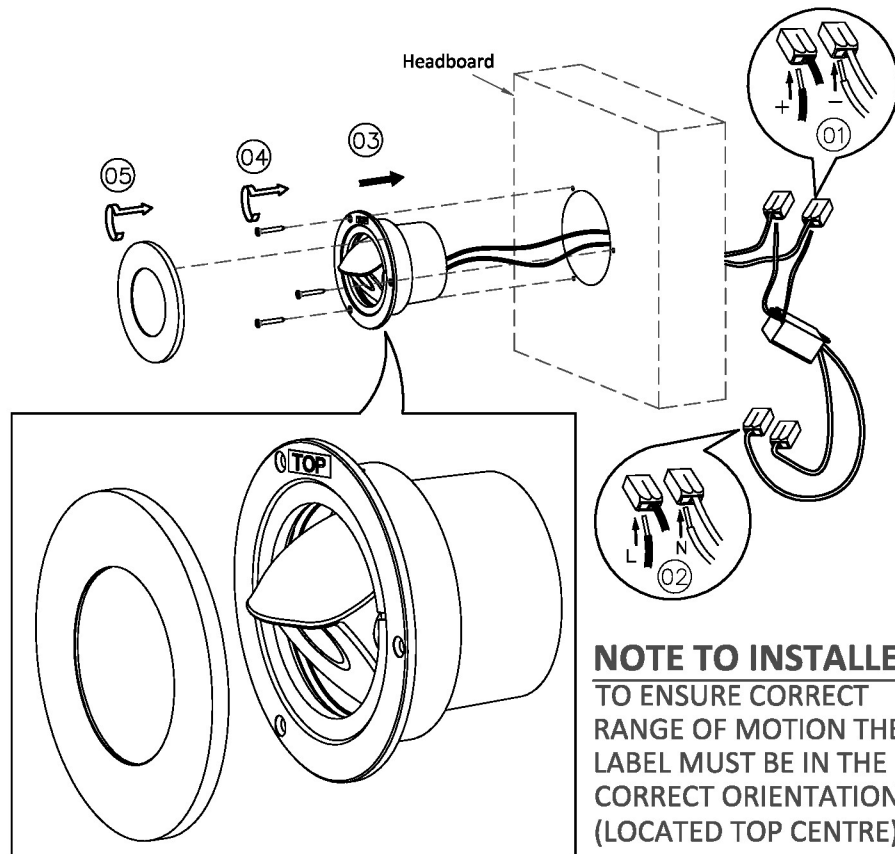
EST. 1947



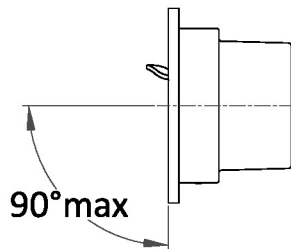
— CHELSOM —

EST. 1947

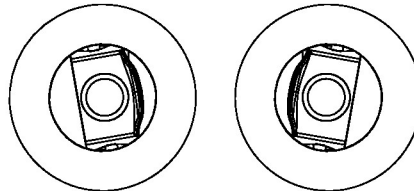
FOLLOW THE NUMBERED ASSEMBLY SEQUENCE



RANGE OF MOVEMENT



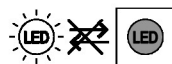
90° max



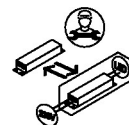
Left/right movement, max. 80° each way

SLR Information

This product contains a light source of Energy Efficiency Class E Regulation 2021 No. 1095



Non-replaceable light source



Control gear replaceable by qualified person

www.chelsom.co.uk