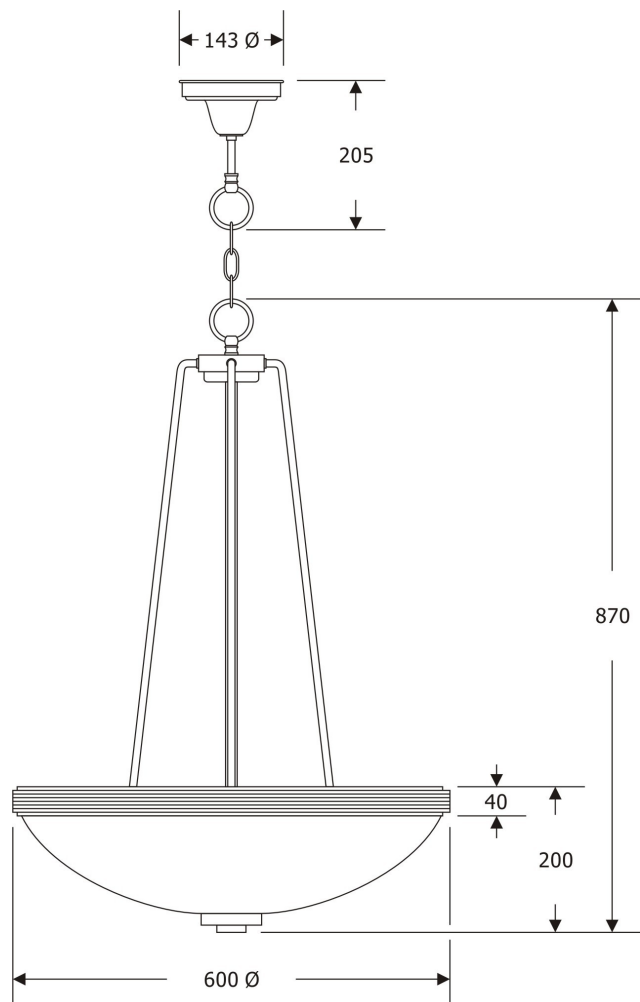


# Turnberry Resort, Scotland



**PROJECT:** Turnberry Resort, Scotland

**CLIENT:** Starwood Luxury Collection

**DESIGNER:** Mary Fox Linton

**LAMPING:** 4 x 26W G24q-3 compact fluorescent lamps

**METAL FINISH:** Antique bronze

**DIFFUSER:** Opal acrylic

**DIAMETER:** 600 mm

**HEIGHT:** 870 mm plus suspension

In the seated area of the bar, Chelsom supplied architectural 'SPACE' pendants finished in rich bronze with high quality white diffusing bowls.

The low energy pendants each use 4 x 26w G24q-3, and are available with additional uplighting or as emergency fittings.