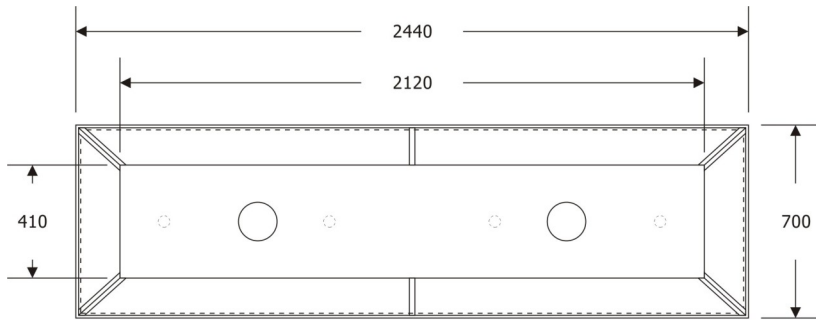
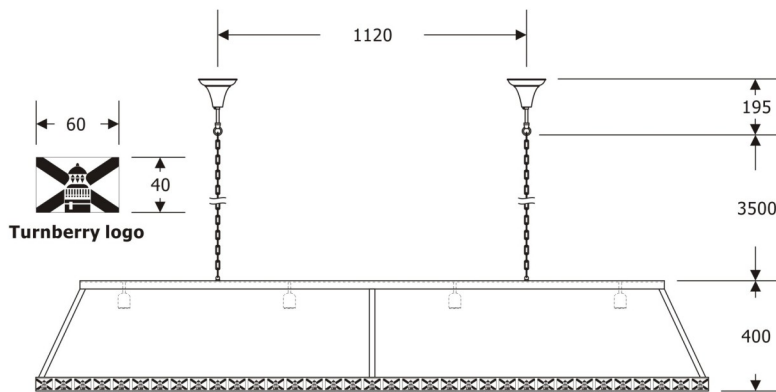


# Turnberry Resort, Scotland



PLAN



FRONT ELEVATION



**PROJECT:** Turnberry Resort, Scotland

**CLIENT:** Starwood Luxury Collection

**DESIGNER:** Mary Fox Linton

**LAMPING:** 4 x 42W E27 self ballasted fluorescent lamps

**METAL FINISH:** Matt black

**DIAMETER:** 2440 mm x 700 mm

**HEIGHT:** 400 mm plus suspension

A unique bespoke billiard canopy was manufactured featuring laser cut Turnberry motifs around the rim. Constructed entirely from metal, the canopy forms the focus of the Duel in the Sun Bar, so named after the final of the 1977 open championships.