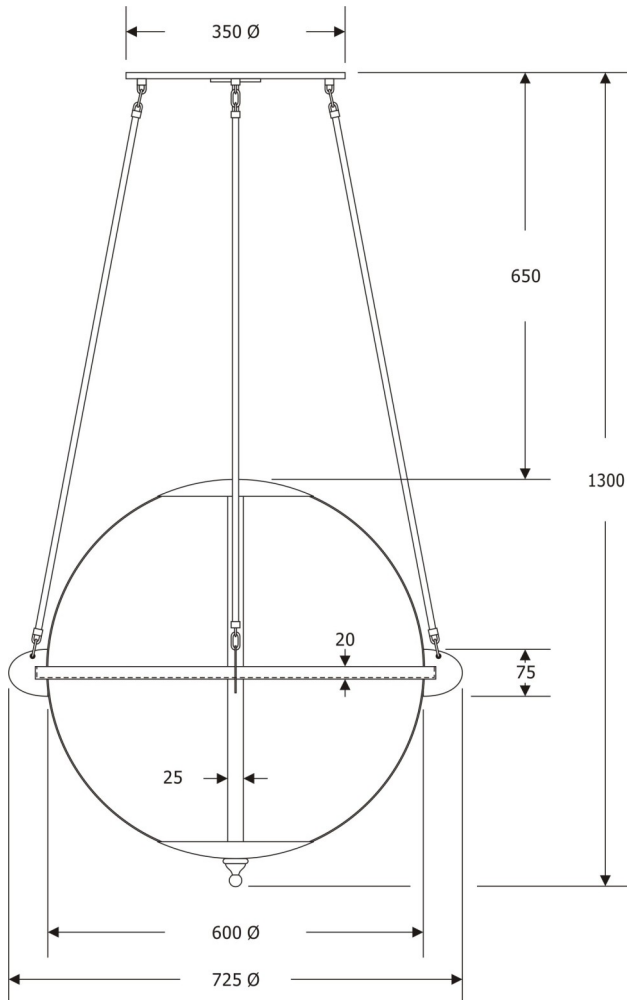


St Pancras Grand Restaurant



PROJECT: St Pancras Grand Restaurant

CLIENT: Searcy's

DESIGNER: Martin Brudnizki Design Studio

LAMPING: 4 x 60W E27 self ballasted lamps

METAL FINISH: Old Penny Bronze

GLOBE: White acrylic

DIAMETER: 725 mm

HEIGHT: 1300 mm

Bespoke Brasserie ball pendants finished in rich Old Penny Bronze are suspended from the barrel vaulted gold leaf ceiling from neat circular fixing plates. The globes offer a subtle ambience to this elegant interior designed to exude the luxury of a bygone era.

Supplementary table lighting is provided by the bespoke panelled post lights secured to the privacy screens on the seating.